

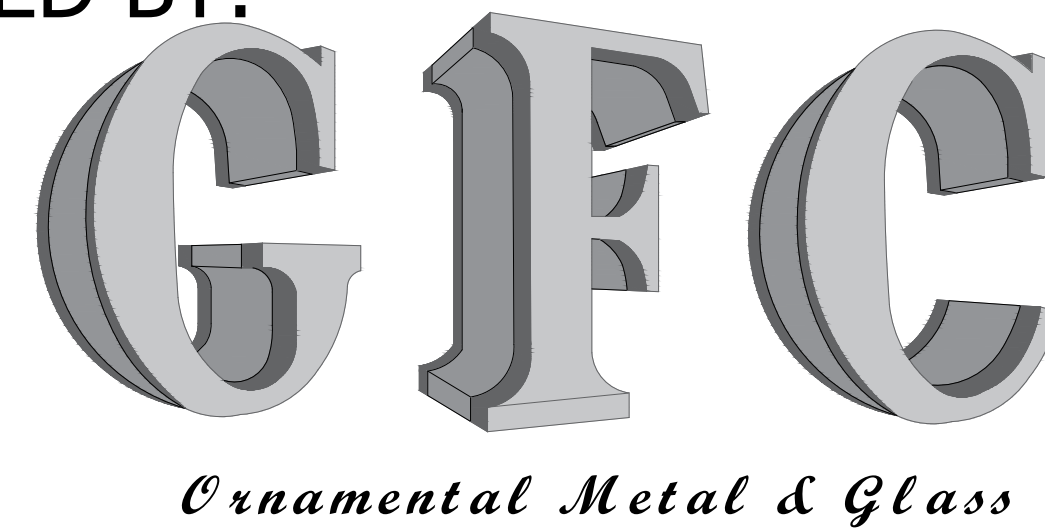
CLUB PILATES

501 7TH AVENUE SUITE 110 CLUB PILATES

ARCHITECT:

Fifield Piarker Elman

PREPARED BY:



GENERAL CONTRACTOR:

Rinnovo

FINISH SCHEDULE:

1/2" clear tempered glass doors complete with hardware door # 101, 102, 106

1/2" clear tempered glass walls with channel top and bottom

TABLE of CONTENTS			SUBMISSION 12/07/2023	Rev 1 12/17/2023
1	A-000	Cover Sheet	•	•
2	A-300	Plan	•	•
3	A-301	Plan, Elevation	•	•
4	A-302	Details	•	•
5	F-101	DOOR 101		•
6	F-102	DOOR 102		•
7	F-106	DOOR 106		•

THESE DRAWINGS ARE THE SOLE PROPERTY OF GFC ORNAMENTAL METAL & GLASS AND MAY NOT BE USED OR DUPLICATED WITHOUT A WRITTEN CONSENT FROM GFC OMG. GFC OMG WILL NOT ASSUME RESPONSIBILITY FOR WORK ON ERRORS INCURRED BY OTHER TRADES SHOULD THESE DRAWINGS BE USED WITHOUT THE KNOWLEDGE OF GFC OMG.

ADDITIONAL COPIES ARE AVAILABLE UPON REQUEST.

SET #1 - GLASS DOORS

Item #: 1NT401 CRL BRUSHED STAINLESS TOP CENTER-HUNG FREE SWING PIVOT.

CRL 380HMBL HYDRAULIC PATCH, 90° H.O. HINGE.

CRL PH21AMBL TOP DOOR PATCH FITTING, WITH 1NT303 INSERT, MATTE BLACK FINISH.

ASSA ABLOY

48" RM3301 DOOR PULL, STAINLESS STEEL, BSP, BLACK SUEDE POWDER COAT FINISH

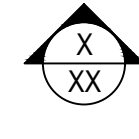
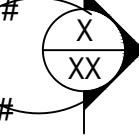
U-CHANNEL WU2MBL240, MATTE BLACK FINISH.

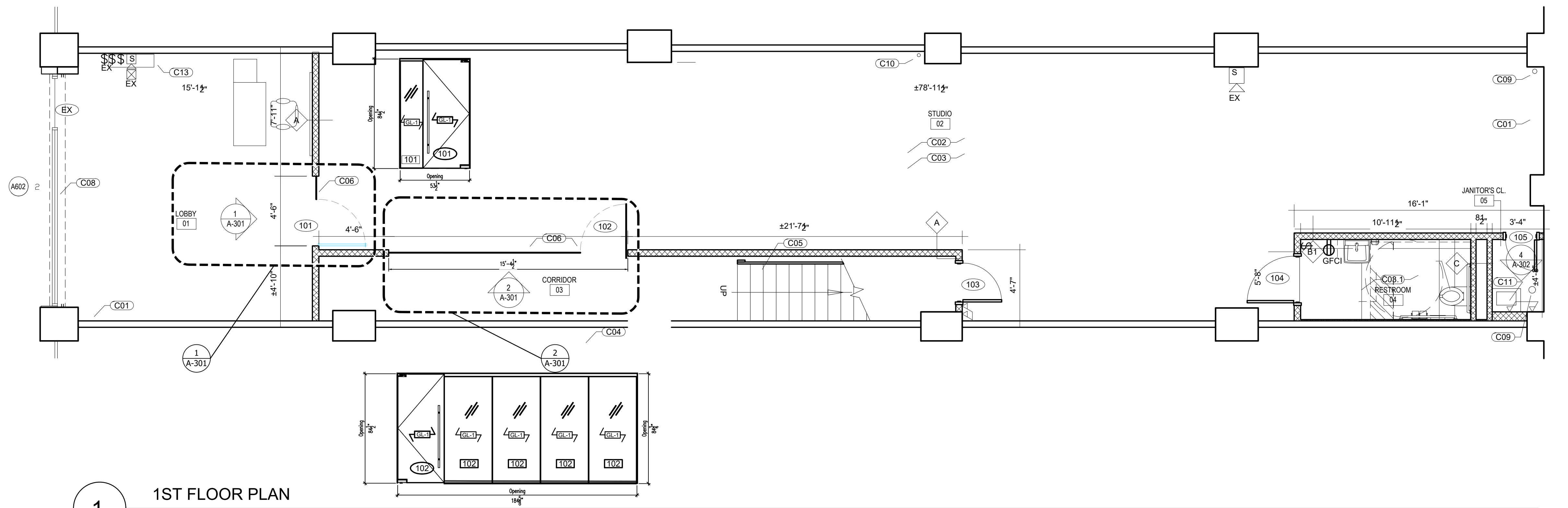
Architectural drawings:	
Type:	
Date:	

NO.	DATE	DESCRIPTION
△	12/17/23	AS PER ARCHITECT'S COMMENTS

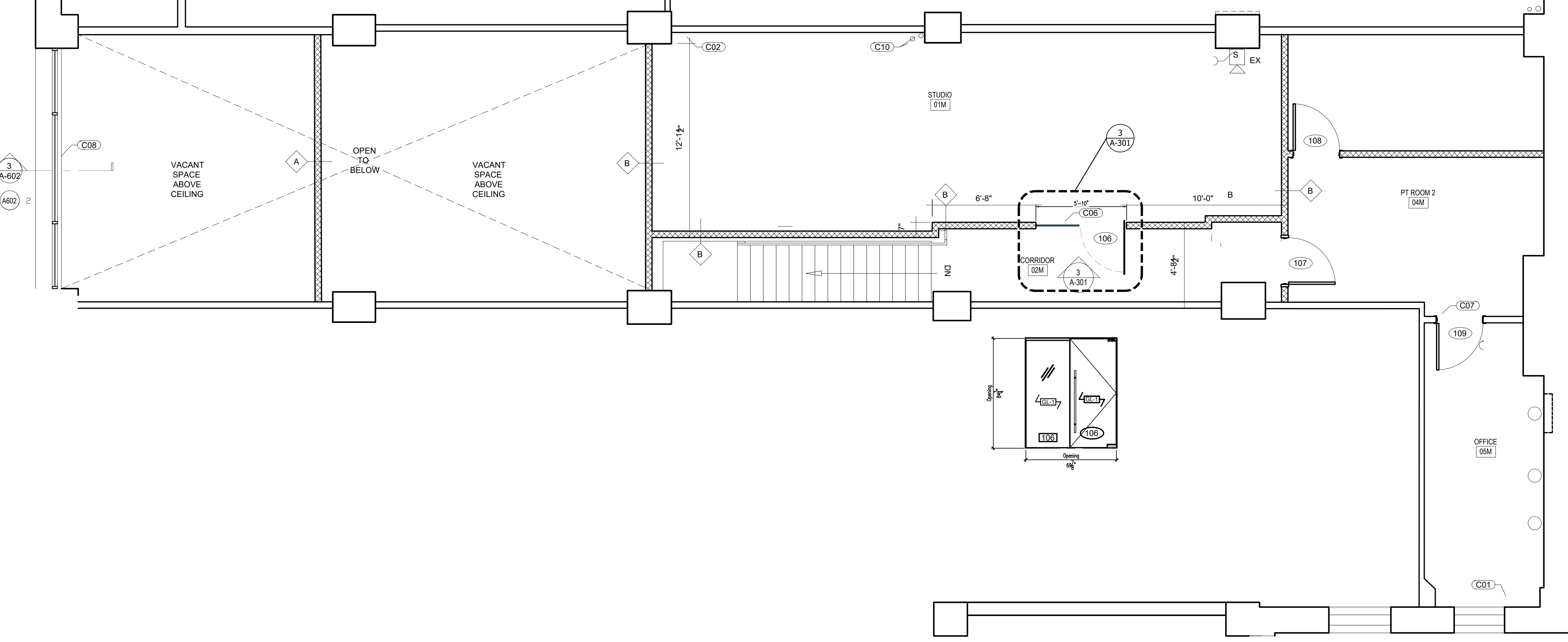
CLUB PILATES	
PROPOSAL:	# 23-934
DATE: (First date of issue)	12/07/23
DRAWN BY:	P.M.:
Leo	F.Z.

LEGENDS, SYMBOLS & ABBREVIATIONS:

 <p>- ELEVATION CALLOUT: UPPER NUMBER DENOTES DRAWING REFERENCE, LOWER NUMBER DENOTES SHEET NUMBER</p>	 <p>- DETAIL CALLOUT: UPPER NUMBER DENOTES DRAWING REFERENCE LOWER NUMBER DENOTES SHEET NUMBER</p>	<table border="0"> <tr> <td>A.F.F.</td> <td>ABOVE FINISH FLOOR</td> <td>O.C.</td> <td>ON-CENTER</td> </tr> <tr> <td>ARCH.</td> <td>ARCHITECT</td> <td>OPP.</td> <td>OPPOSITE</td> </tr> <tr> <td>B.O.</td> <td>BOTTOM OF</td> <td>QTY.</td> <td>QUANTITY</td> </tr> <tr> <td>B.T.B.</td> <td>BACK-TO-BACK</td> <td>R.F.</td> <td>ROUGH OPENING</td> </tr> <tr> <td>C.</td> <td>CENTERLINE</td> <td>REF.</td> <td>REFERENCE</td> </tr> <tr> <td>D.H.</td> <td>DOOR HEIGHT</td> <td>S.S.</td> <td>STAINLESS STEEL</td> </tr> <tr> <td>D.L.</td> <td>DAYLIGHT</td> <td>SIM.</td> <td>SIMILAR</td> </tr> <tr> <td>D.L.O.</td> <td>DAYLIGHT OPENING</td> <td>T.O.S.</td> <td>TOP OF SLAB</td> </tr> <tr> <td>D.O.</td> <td>DOOR OPENING</td> <td>T.O.F.F.</td> <td>TOP OF FINISH FLOOR</td> </tr> <tr> <td>D.W.</td> <td>DOOR WIDTH</td> <td>TYP.</td> <td>TYPICAL</td> </tr> <tr> <td>F.O.G.</td> <td>FRONT OF GLASS</td> <td>V.I.F.</td> <td>VERIFY IN FIELD</td> </tr> <tr> <td>G.S.</td> <td>GLASS SIZE</td> <td></td> <td></td> </tr> <tr> <td>HT.</td> <td>HEIGHT</td> <td></td> <td></td> </tr> <tr> <td>O.A.</td> <td>OVERALL</td> <td></td> <td></td> </tr> </table>	A.F.F.	ABOVE FINISH FLOOR	O.C.	ON-CENTER	ARCH.	ARCHITECT	OPP.	OPPOSITE	B.O.	BOTTOM OF	QTY.	QUANTITY	B.T.B.	BACK-TO-BACK	R.F.	ROUGH OPENING	C.	CENTERLINE	REF.	REFERENCE	D.H.	DOOR HEIGHT	S.S.	STAINLESS STEEL	D.L.	DAYLIGHT	SIM.	SIMILAR	D.L.O.	DAYLIGHT OPENING	T.O.S.	TOP OF SLAB	D.O.	DOOR OPENING	T.O.F.F.	TOP OF FINISH FLOOR	D.W.	DOOR WIDTH	TYP.	TYPICAL	F.O.G.	FRONT OF GLASS	V.I.F.	VERIFY IN FIELD	G.S.	GLASS SIZE			HT.	HEIGHT			O.A.	OVERALL		
A.F.F.	ABOVE FINISH FLOOR	O.C.	ON-CENTER																																																							
ARCH.	ARCHITECT	OPP.	OPPOSITE																																																							
B.O.	BOTTOM OF	QTY.	QUANTITY																																																							
B.T.B.	BACK-TO-BACK	R.F.	ROUGH OPENING																																																							
C.	CENTERLINE	REF.	REFERENCE																																																							
D.H.	DOOR HEIGHT	S.S.	STAINLESS STEEL																																																							
D.L.	DAYLIGHT	SIM.	SIMILAR																																																							
D.L.O.	DAYLIGHT OPENING	T.O.S.	TOP OF SLAB																																																							
D.O.	DOOR OPENING	T.O.F.F.	TOP OF FINISH FLOOR																																																							
D.W.	DOOR WIDTH	TYP.	TYPICAL																																																							
F.O.G.	FRONT OF GLASS	V.I.F.	VERIFY IN FIELD																																																							
G.S.	GLASS SIZE																																																									
HT.	HEIGHT																																																									
O.A.	OVERALL																																																									



1
1/4"=1'-0"



2
1/4"=1'-0"

Finishes

General Notes

1. ALL DIMENSIONS TO BE FIELD IN VERIFIED PRIOR TO FABRICATION & INSTALLATION.
2. SEE OTHER DRAWINGS FOR MORE NOTES.
3. CAULKING AT BUTT JOINTS TYPICAL.
4. MINIMUM 1/8" GAP, U.O.N.
5. WRITTEN DIMENSIONS SUPERCEDE ALL SCALED DIMENSIONS.
6. ALL FASTENERS ARE 300 SERIES STAINLESS STEEL, U.O.N.
7. METAL STUD FRAMING & WOOD BLOCKING NOT BY GFC O.M.G.
8. ALL GLASS JOINTS, ALL GLASS SIZES WILL HAVE A TOLERANCE OF ±1/8", U.O.N.
9. SEE GFC O.M.G. DWG # Z-000 FOR GLASS FINISH SCHEDULES & LOCATION OF ALL ITEMS.
10. ANY MATERIALS LISTED w/LEAD TIMES ARE APPROX. AFTER FIELD SIZES HAVE BEEN TAKEN OR APPROVED / GUARANTEED DIMENSIONS.
11. GFC EXCLUDES THE FOLLOWING: ELECTRIC WIRING & HOOK-UP, WOOD BLOCKING, METAL STUD FRAMING, AND SUPPORTS. REMOVALS, CHOPPING, PATCHING OF EXISTING, ANYTHING NOT SPECIFICALLY CALLED OUT ON GFC SHOP DWGS FINISHES FINAL CLEANING & PROTECTION.

KEY PLAN:

INFORMATION ON THIS DOCUMENT IS PROPRIETARY AND SHALL NOT BE USED, COPIED, REPRODUCED, DISCLOSED IN WHOLE OR IN PART WITHOUT WRITTEN CONSENT OF GFC ORNAMENTAL METAL AND GLASS, LLC. GFC ORNAMENTAL METAL AND GLASS, LLC ASSUMES NO RESPONSIBILITY FOR ANY ERRONEOUS WORK PERFORMED BY OTHER TRADES USING THESE DRAWINGS.

No.	Revision/Issue	Date
	AS PER ARCHITECT'S COMMENTS	12/17/23

Prepared by
G.F.C. | ORNAMENTAL METAL & GLASS, LLC.
2200 JERICHO TPKE
NEW HYDE PARK, NY
Tel: (516) 880-4655
www.gfc-omg.com

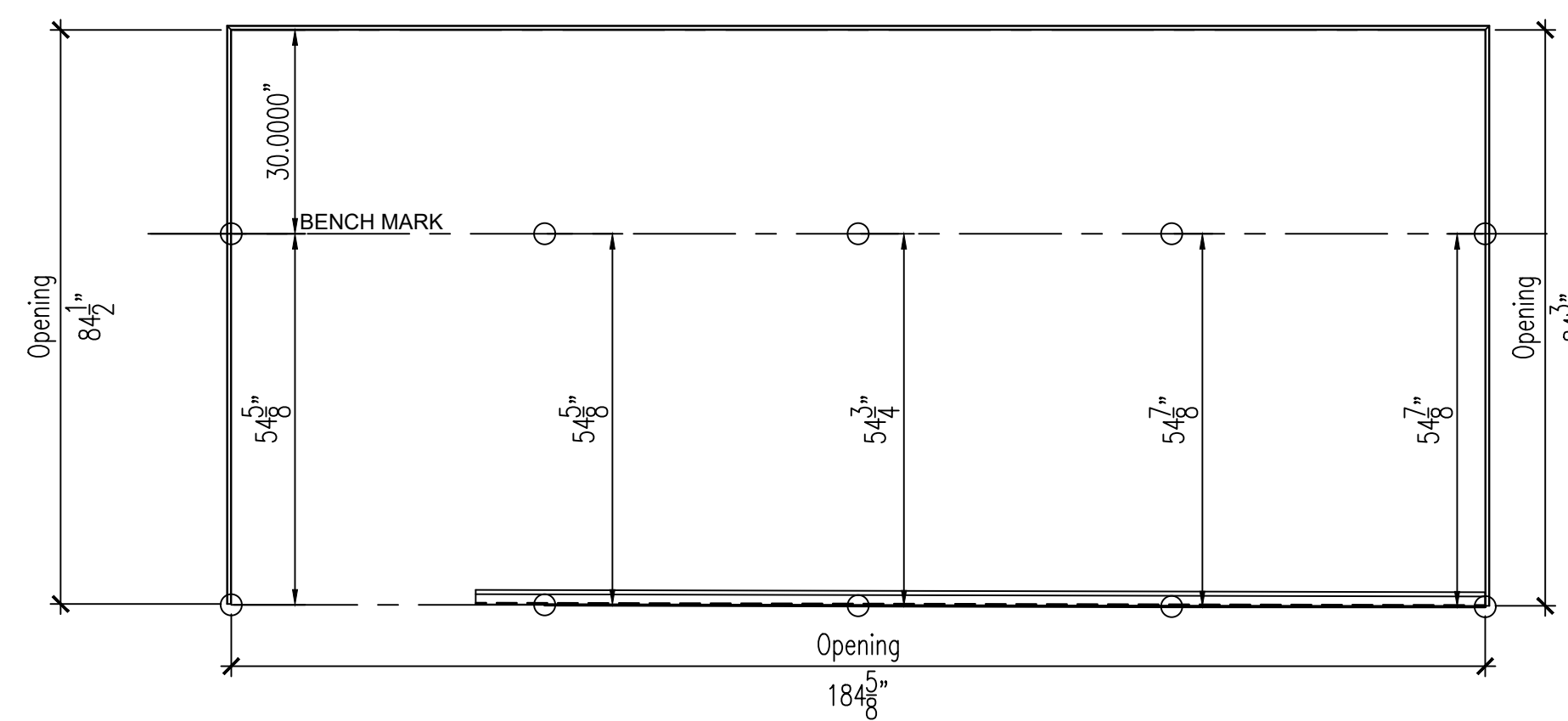
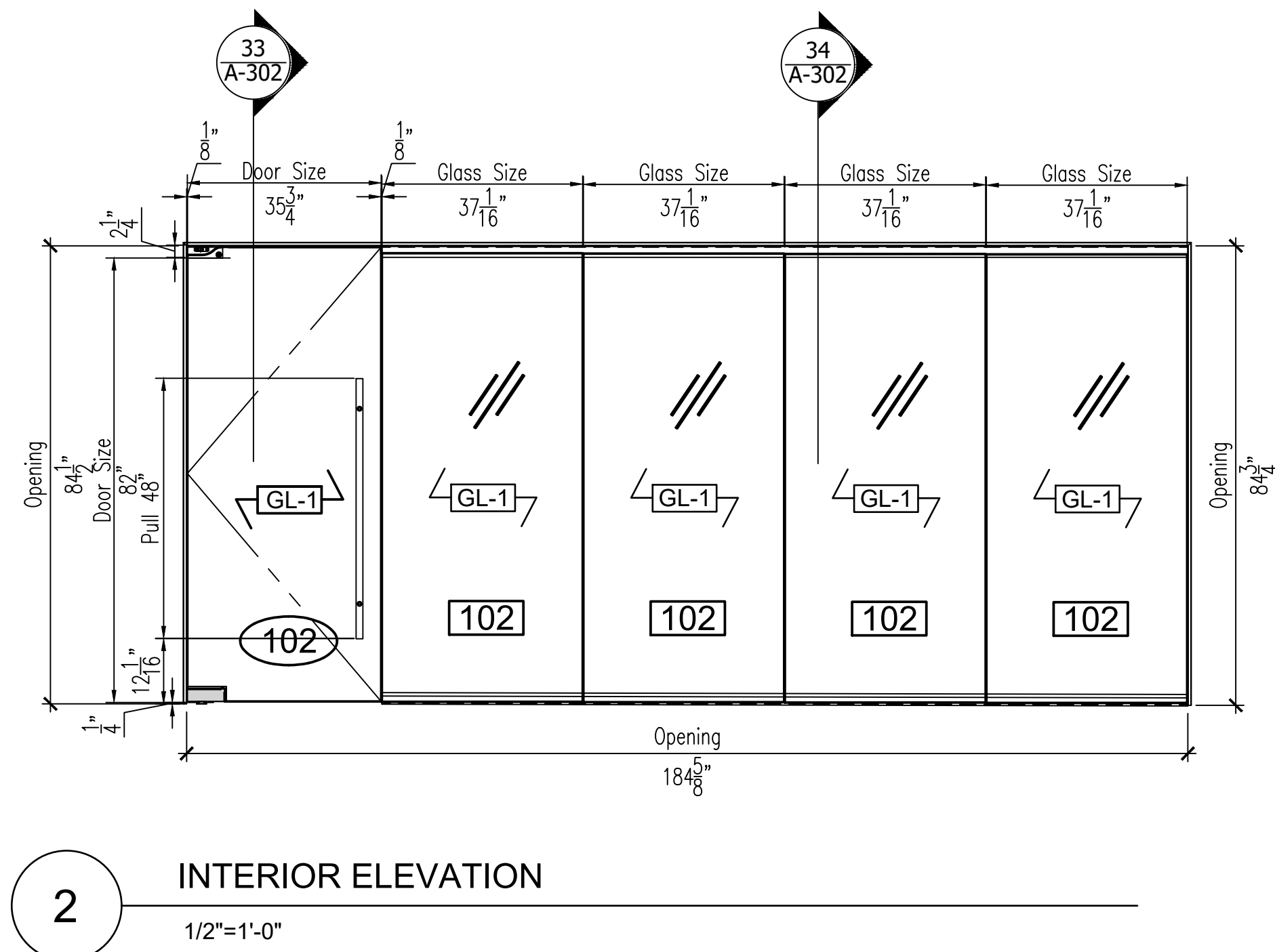
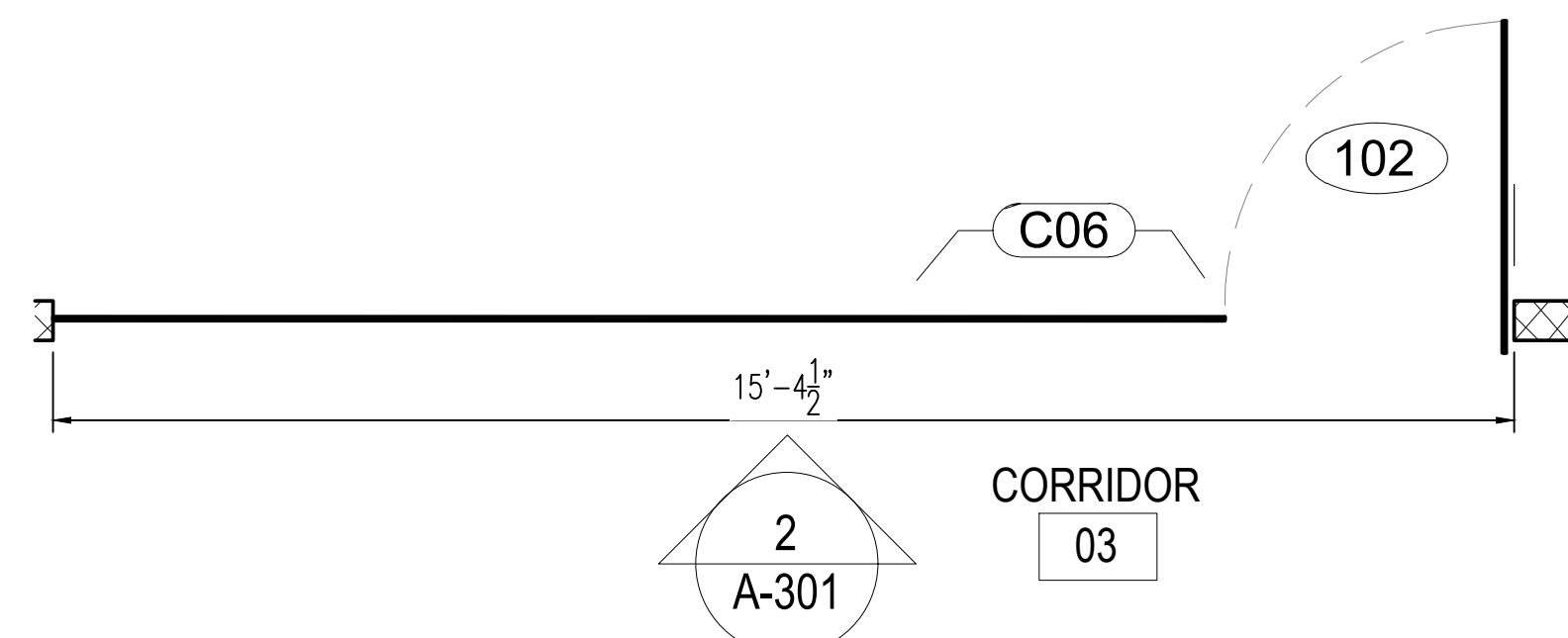
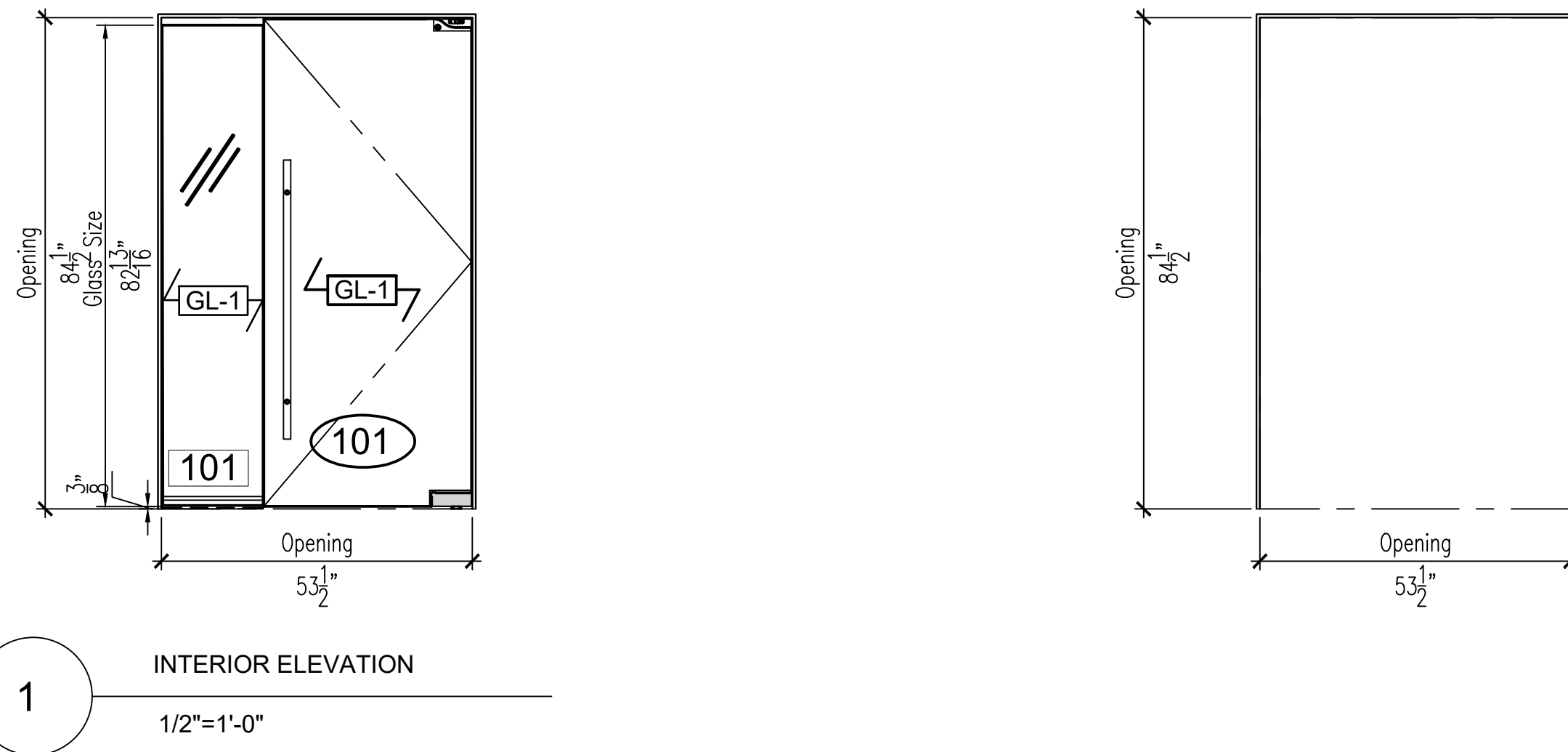
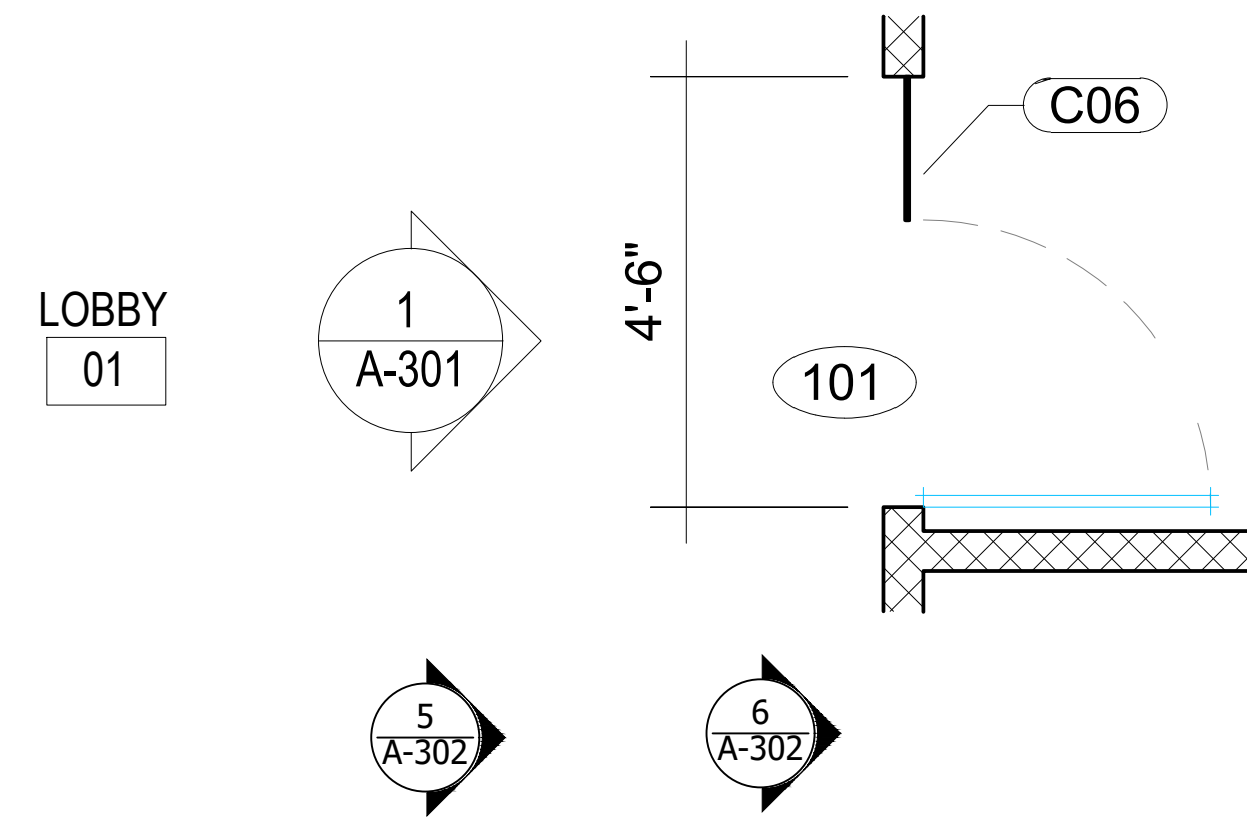
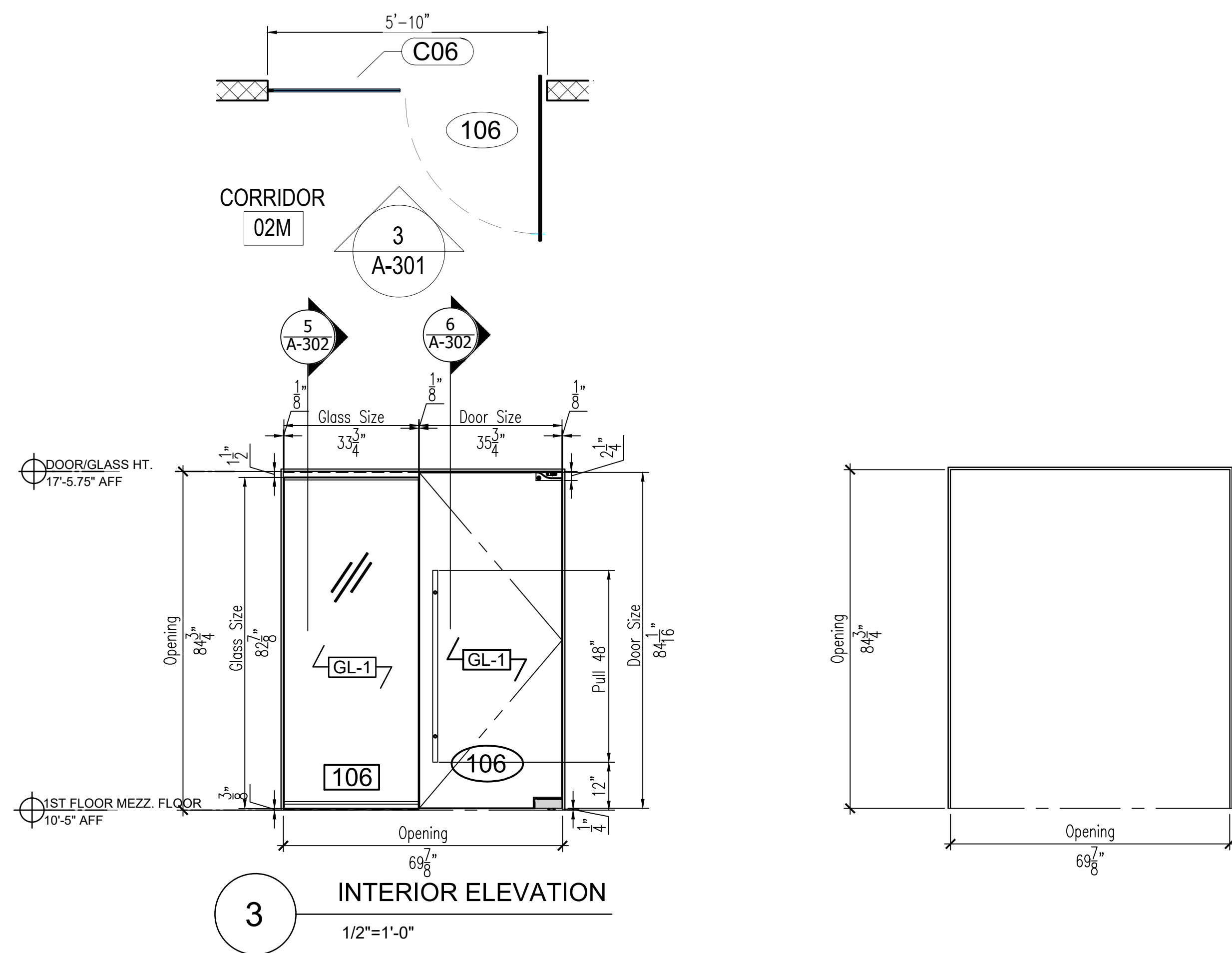
ARCHITECT:
Fifield Piarker Elman

General contractor:
Rinnovo

CLUB PILATES

Title
PLAN

PM F.Z.	Scale: (ARCH.D) SEE NOTED	Sheet No.
Drawn by Leo	First date of issue 12/07/23	A-300
Checked by G.Z.	Job No. 23934	
Approved by G.Z.		



Finishes

General Notes

- ALL DIMENSIONS TO BE FIELD IN VERIFIED PRIOR TO FABRICATION & INSTALLATION.
- SEE OTHER DRAWINGS FOR MORE NOTES.
- CAULKING AT BUTT JOINTS TYPICAL.
- MINIMUM 1/8" GAP, U.O.N.
- WRITTEN DIMENSIONS SUPERCEDE ALL SCALED DIMENSIONS.
- ALL FASTENERS ARE 300 SERIES STAINLESS STEEL, U.O.N.
- METAL STUD FRAMING & WOOD BLOCKING NOT BY GFC OMG.
- ALL GLASS JOINTS, ALL GLASS SIZES WILL HAVE A TOLERANCE OF ±1/8", U.O.N.
- SEE GFC OMG DWG # Z-000 FOR GLASS FINISH SCHEDULES & LOCATION OF ALL ITEMS.
- ANY MATERIALS LISTED w/LEAD TIMES ARE APPROX. AFTER FIELD SIZES HAVE BEEN TAKEN OR APPROVED / GUARANTEED DIMENSIONS.
- GFC EXCLUDES THE FOLLOWING ELECTRIC WIRING & HOOK-UP, WOOD BLOCKING, METAL STUD FRAMING, AND SUPPORTS, REMOVALS, CHOPPING, PATCHING OF EXISTING. ANYTHING NOT SPECIFICALLY CALLED OUT ON GFC SHOP DWGS FINISHES FINAL CLEANING & PROTECTION.

KEY PLAN:

INFORMATION ON THIS DOCUMENT IS PROPRIETARY AND SHALL NOT BE USED, COPIED, REPRODUCED, DISCLOSED IN WHOLE OR IN PART WITHOUT WRITTEN CONSENT OF GFC ORNAMENTAL METAL AND GLASS, LLC. GFC ORNAMENTAL METAL AND GLASS, LLC ASSUMES NO RESPONSIBILITY FOR ANY ERRONEOUS WORK PERFORMED BY OTHER TRADES USING THESE DRAWINGS.

AS PER ARCHITECT'S COMMENTS	12/17/23
No.	Revision/Issue
	Date

Prepared by	ORNAMENTAL METAL & GLASS, LLC. 2200 JERICHO TPKE NEW HYDE PARK, NY Tel: (516) 880-4655 www.gfc-omg.com
G.F.C.	

ARCHITECT:
Fifield Piarker Elman

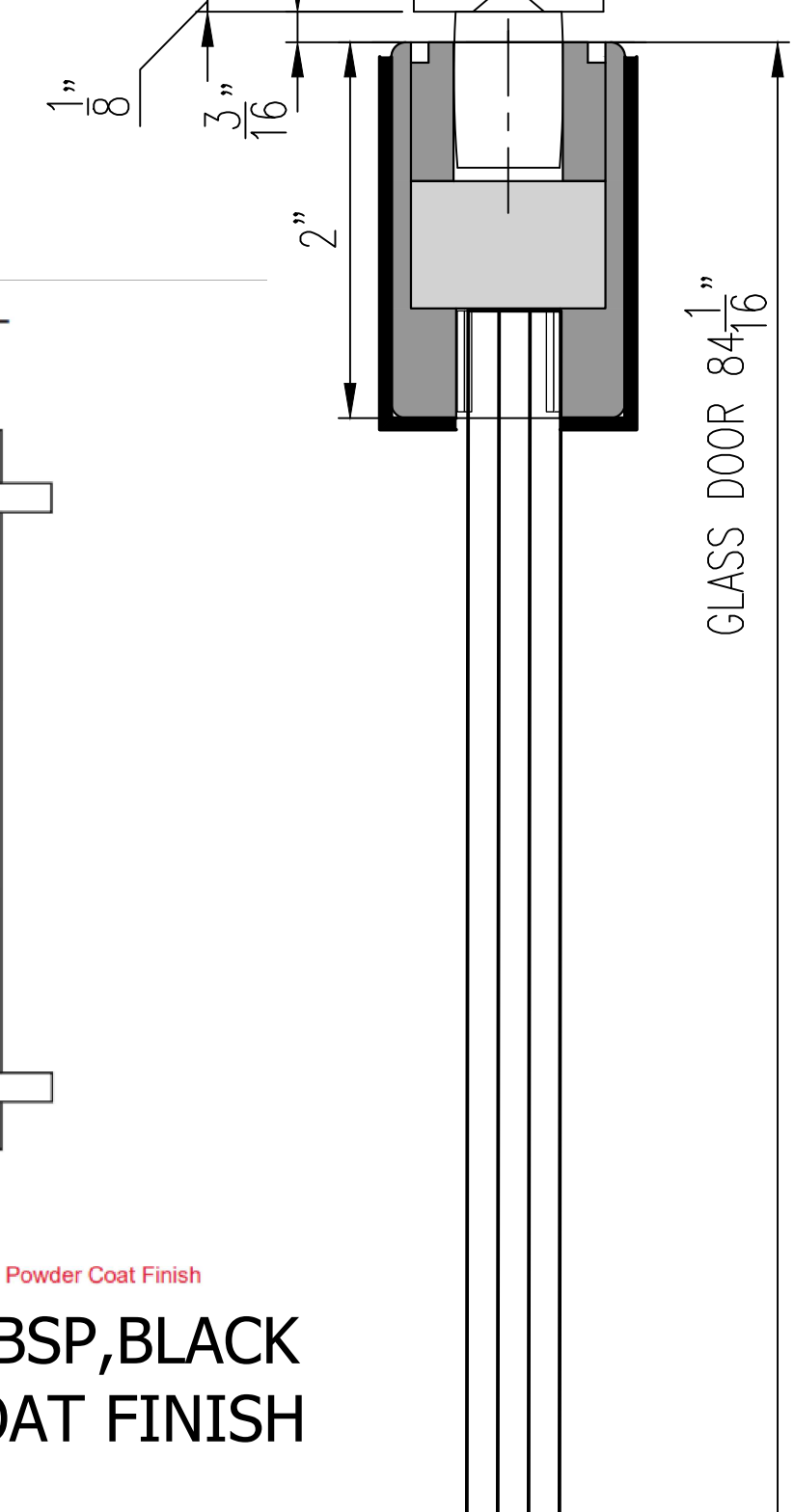
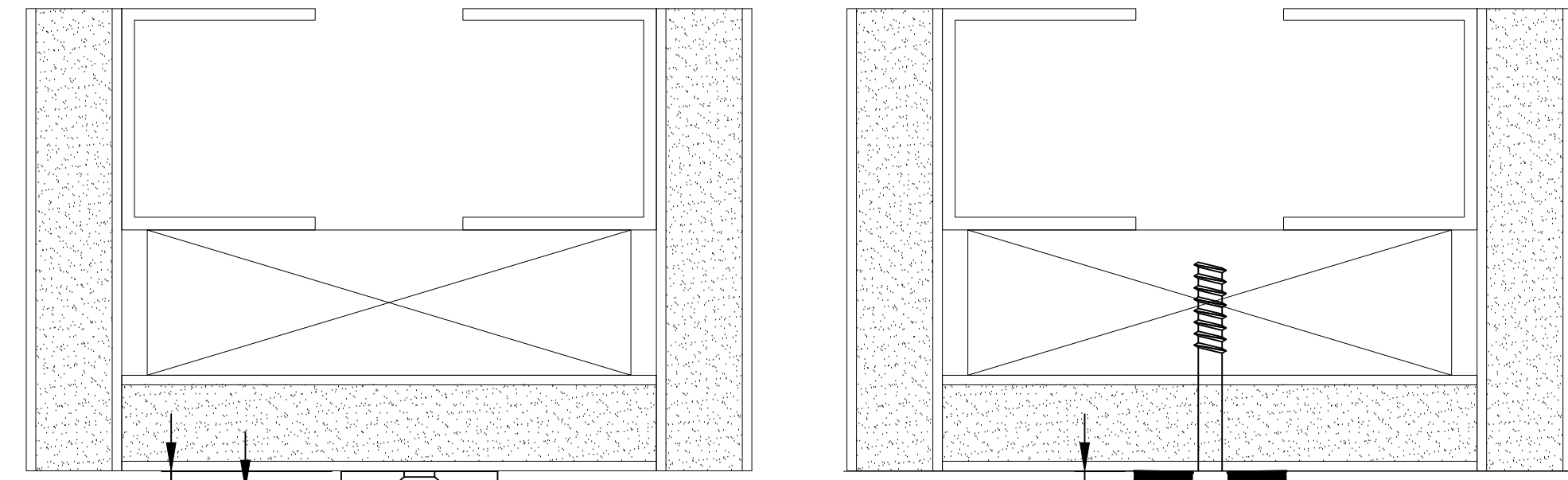
General contractor:
Rinnovo

CLUB PILATES

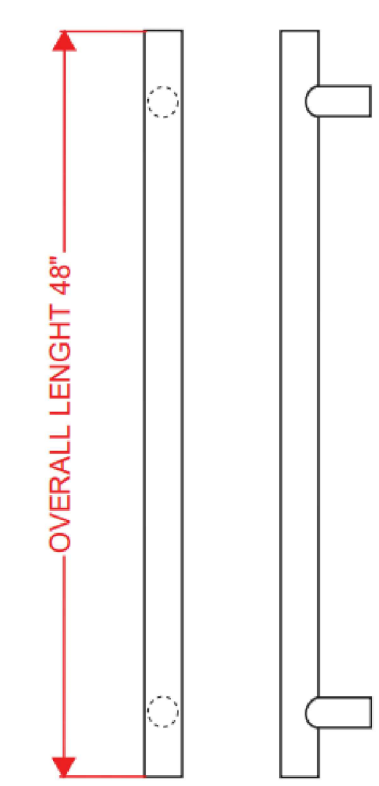
Title
Plan, Elevation

PM F.Z.	Scale: (ARCH.D) SEE NOTED	Sheet No.
Drawn by Leo	First date of issue 12/07/23	A-301
Checked by G.Z.	Job No. 23934	
Approved by G.Z.		

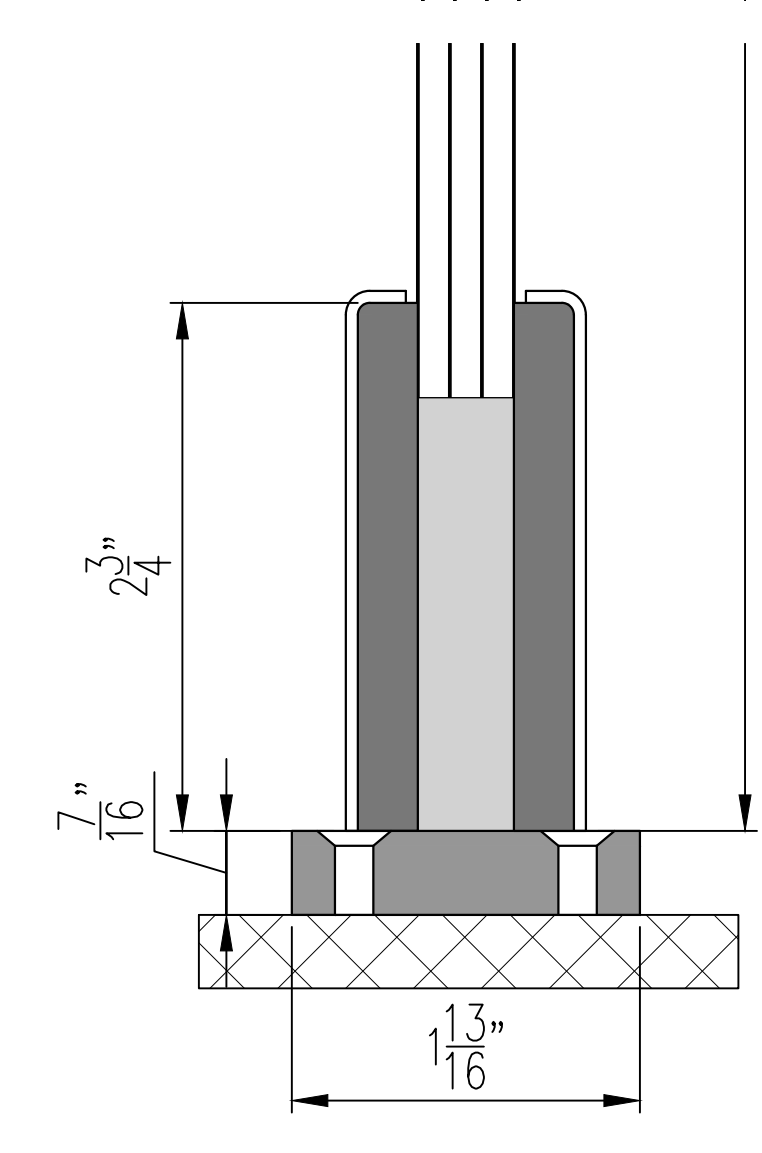
Door # 106



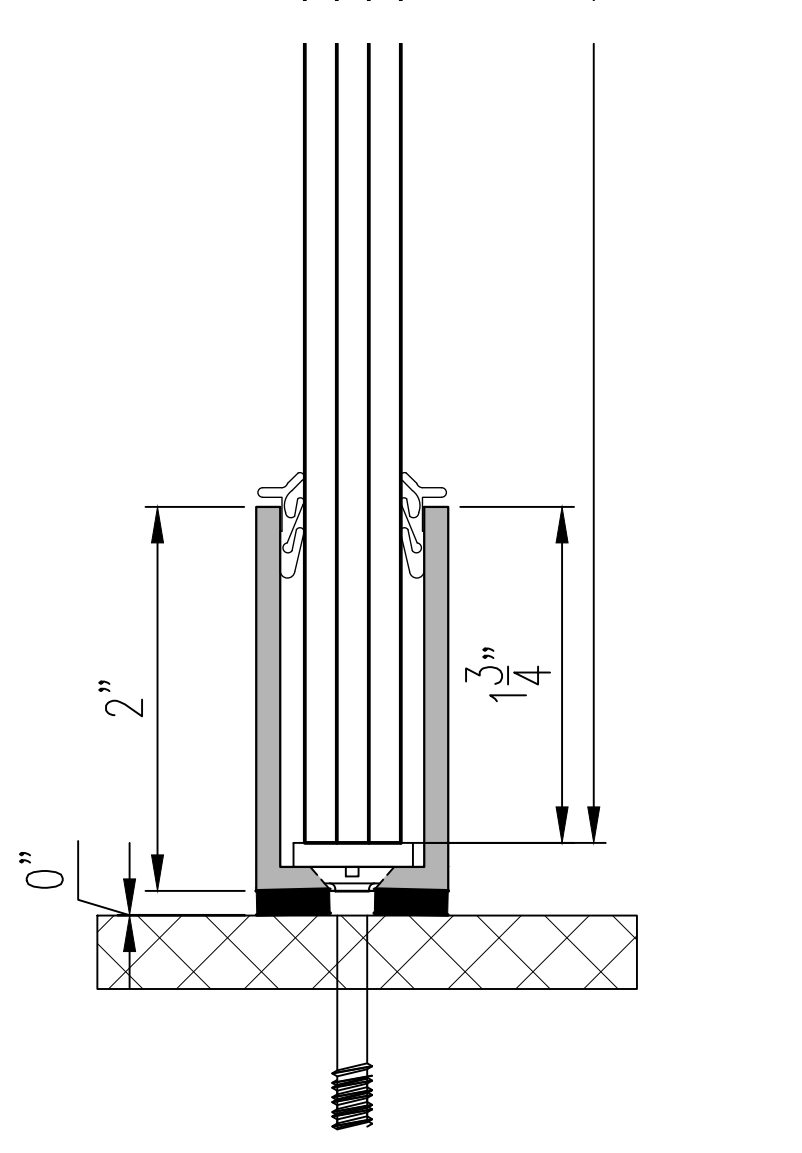
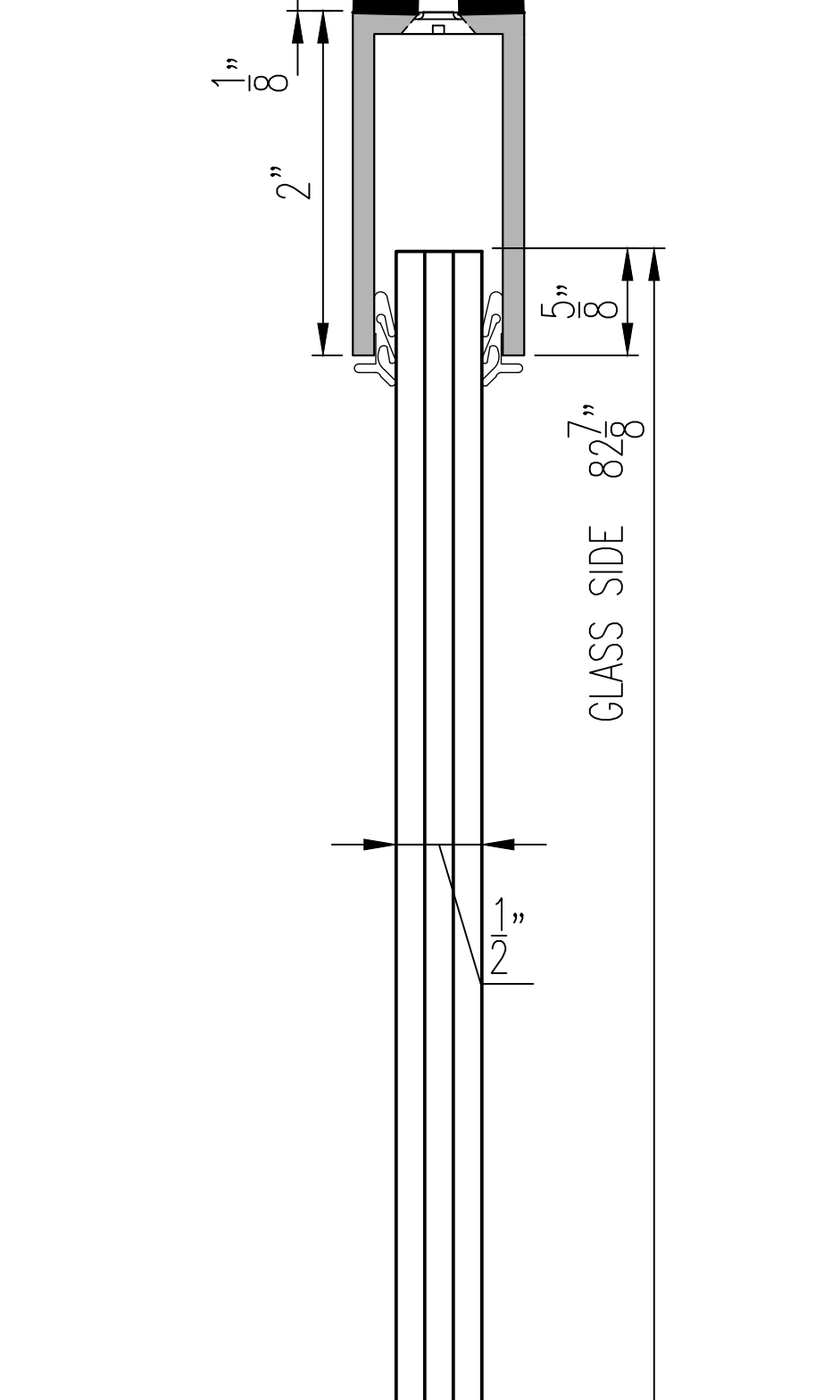
ASSA ABLOY
Rockwood RM3301 - MegaTek - Straight Pull - Flat Ends



Specifications:
MATERIAL: Aluminum, Brass, Bronze, Stainless Steel, BSP, Black Suede Powder Coat Finish
STAINLESS STEEL, BSP, BLACK SUEDE POWDER COAT FINISH

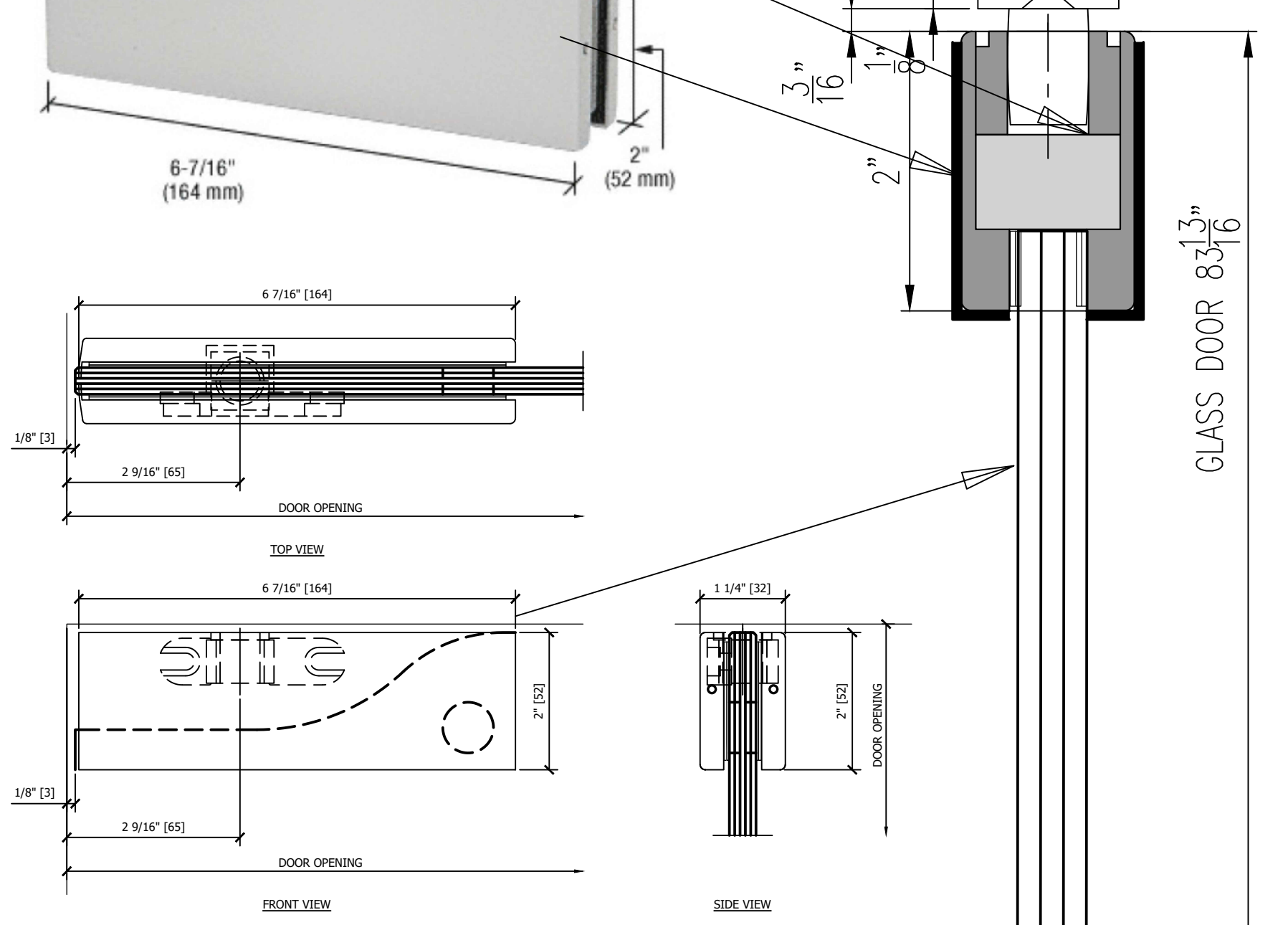
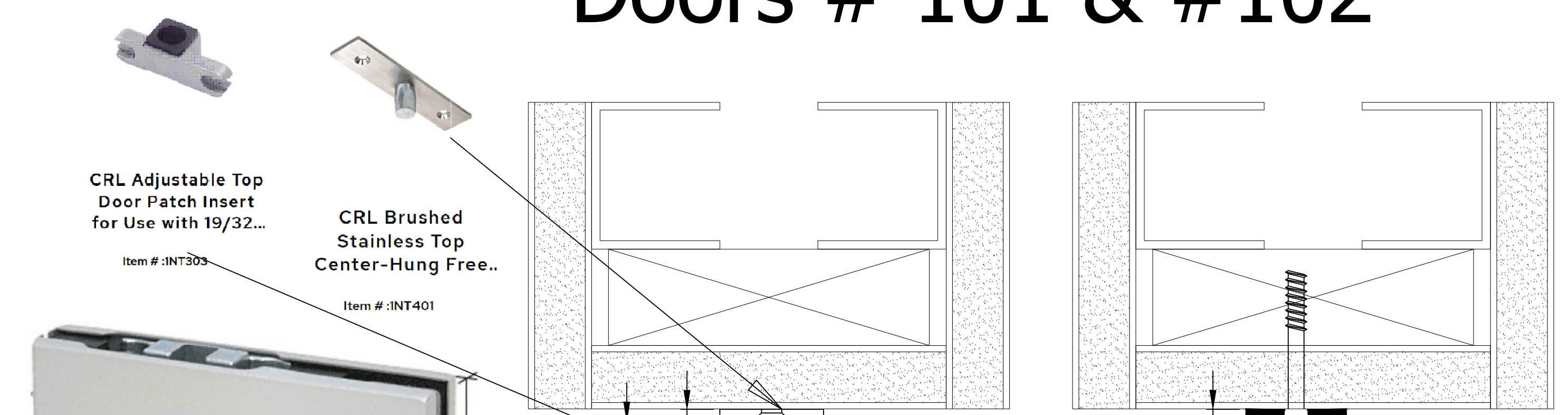


31 SECTION Scale: NTS

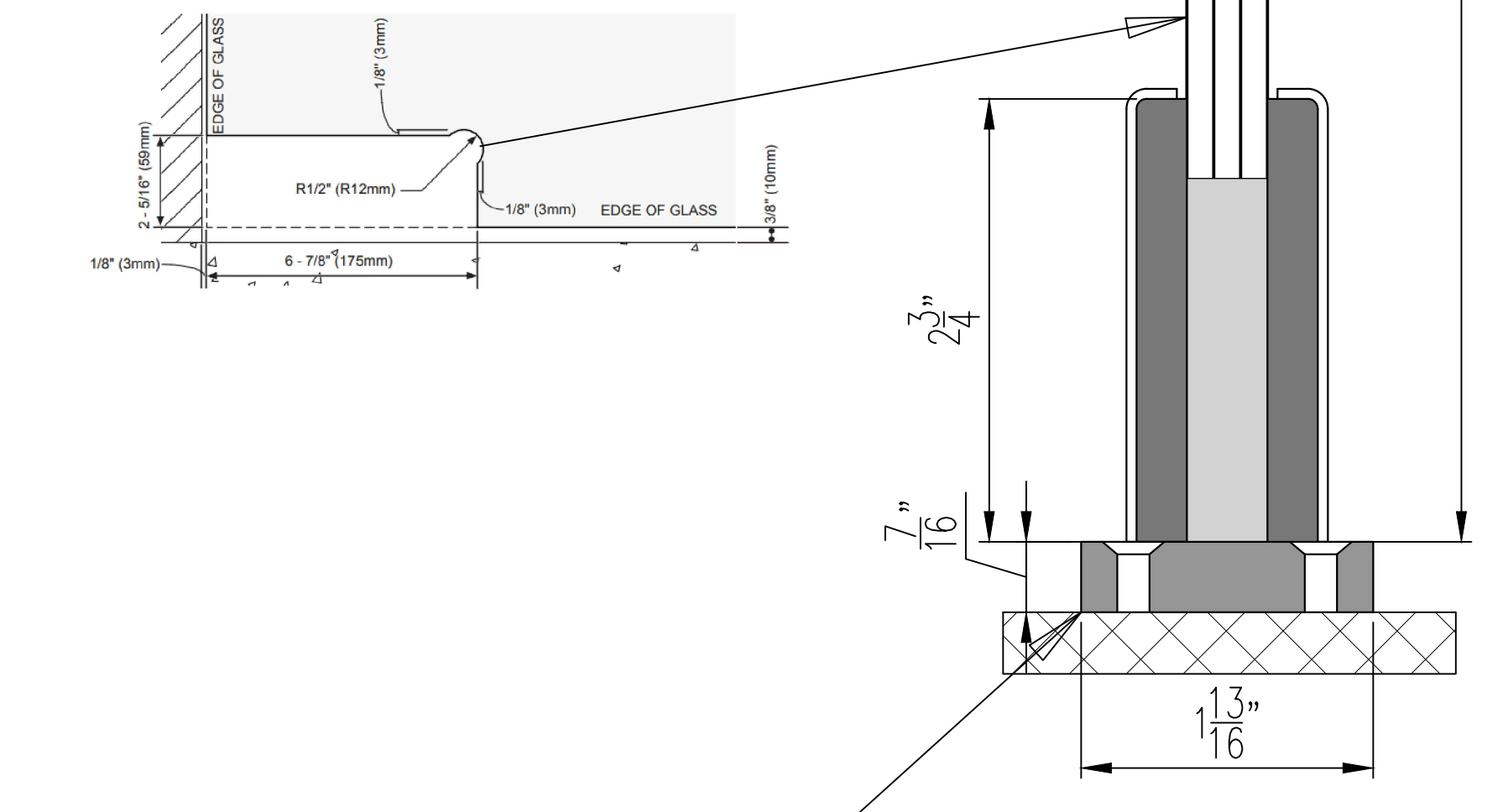


32 SECTION Scale: NTS

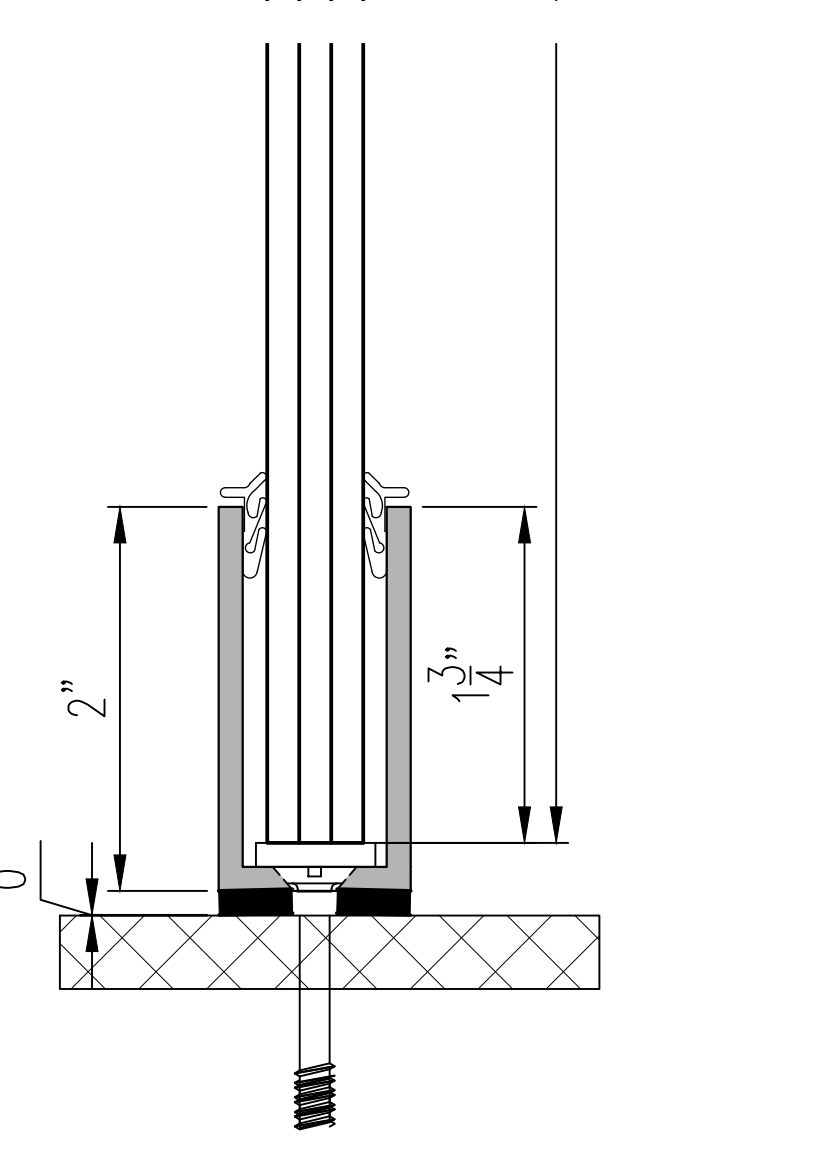
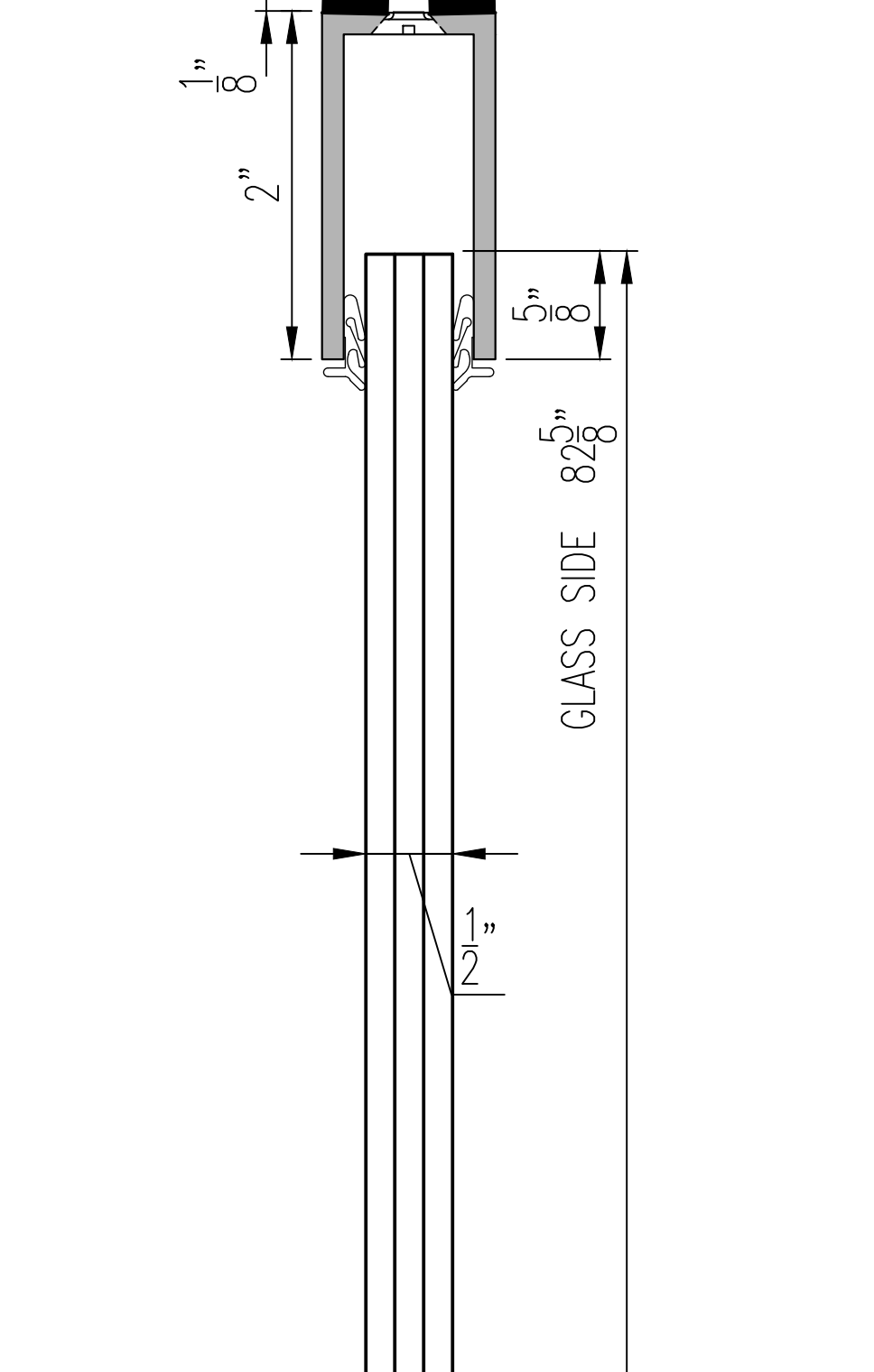
Doors # 101 & #102



PH21A - TOP DOOR PATCH FITTING W/ 1NT303 INSERT



33 SECTION Scale: NTS



34 SECTION Scale: NTS

CRL Matte Black Hydraulic Patch Fitting with 2-9/16" Setback - 90° Hold Open Model
Finish/Color: Matte Black
Item #: CRL380HMBL
View Prices with a Purchase Account

Finishes

General Notes

- ALL DIMENSIONS TO BE FIELD IN VERIFIED PRIOR TO FABRICATION & INSTALLATION.
- SEE OTHER DRAWINGS FOR MORE NOTES.
- CAULKING AT BUTT JOINTS TYPICAL.
- MINIMUM 1/8" GAP, U.O.N.
- WRITTEN DIMENSIONS SUPERCEDE ALL SCALED DIMENSIONS.
- ALL FASTENERS ARE 300 SERIES STAINLESS STEEL, U.O.N.
- METAL STUD FRAMING & WOOD BLOCKING NOT BY GFC O.M.G.
- ALL GLASS JOINTS, ALL GLASS SIZES WILL HAVE A TOLERANCE OF ±1/8", U.O.N.
- SEE GFC O.M.G. DWG # Z-000 FOR GLASS FINISH SCHEDULES & LOCATION OF ALL ITEMS.
- ANY MATERIALS LISTED w/LEAD TIMES ARE APPROX. AFTER FIELD SIZES HAVE BEEN TAKEN OR APPROVED / GUARANTEED DIMENSIONS.
- GFC EXCLUDES THE FOLLOWING ELECTRIC WIRING & HOOK-UP, WOOD BLOCKING, METAL STUD FRAMING, AND SUPPORTS, REMOVALS, CHOPPING, PATCHING OF EXISTING. ANYTHING NOT SPECIFICALLY CALLED OUT ON GFC SHOP DWGS FINISHES FINAL CLEANING & PROTECTION.

KEY PLAN:

INFORMATION ON THIS DOCUMENT IS PROPRIETARY AND SHALL NOT BE USED, COPIED, REPRODUCED, DISCLOSED IN WHOLE OR IN PART WITHOUT WRITTEN CONSENT OF GFC ORNAMENTAL METAL AND GLASS, LLC. GFC ORNAMENTAL METAL AND GLASS, LLC ASSUMES NO RESPONSIBILITY FOR ANY ERRONEOUS WORK PERFORMED BY OTHER TRADES USING THESE DRAWINGS.		
AS PER ARCHITECT'S COMMENTS 12/17/23		
No.	Revision/Issue	Date

Prepared by
G.F.C. ORNAMENTAL METAL & GLASS, LLC.
2200 JERICHO TPKE
NEW HYDE PARK, NY
Tel: (516) 880-4655
www.gfc-omg.com

ARCHITECT:
Fifield Piarker Elman

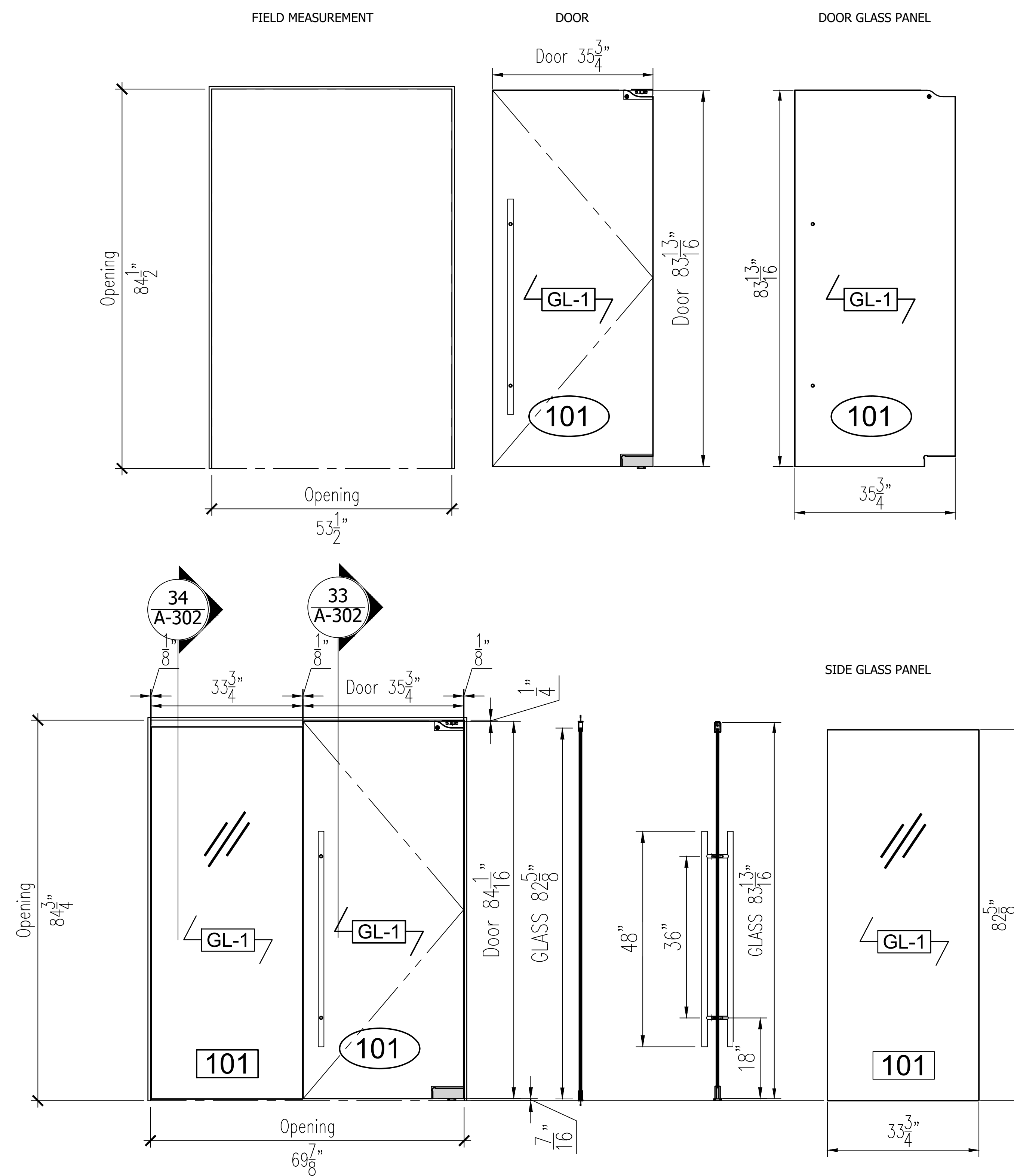
General contractor:
Rinnovo

CLUB PILATES

DETAILS

PM	Scale: (ARCH.D)	Sheet No.
F.Z.	SEE NOTED	
Drawn by	First date of issue	
Leo	12/07/23	A-302
Checked by	Job No.	
G.Z.	23934	
Approved by		
G.Z.		

Director: G. Vespa, Manager: G. Vespa, Designer: G. Vespa, Drafter: G. Vespa, Date: 18 Dec 2023 08:08 - By: ecp



DOOR #106 ELEVATION & DETAILS

Finishes

General Notes

1. ALL DIMENSIONS TO BE FIELD IN VERIFIED PRIOR TO FABRICATION & INSTALLATION.
2. SEE OTHER DRAWINGS FOR MORE NOTES.
3. CAULKING AT BUTT JOINTS TYPICAL.
4. MINIMUM 1/8" GAP, U.O.N.
5. WRITTEN DIMENSIONS SUPERCEDE ALL SCALED DIMENSIONS.
6. ALL FASTENERS ARE 300 SERIES STAINLESS STEEL, U.O.N.
7. METAL STUD FRAMING & WOOD BLOCKING NOT BY GFC OMG.
8. ALL GLASS JOINTS, ALL GLASS SIZES WILL HAVE A TOLERANCE OF ±1/8", U.O.N.
9. SEE GFC OMG DWG # Z-000 FOR GLASS FINISH SCHEDULES & LOCATION OF ALL ITEMS.
10. ANY MATERIALS LISTED w/LEAD TIMES ARE APPROX. AFTER FIELD SIZES HAVE BEEN TAKEN OR APPROVED / GUARANTEED DIMENSIONS.
11. GFC EXCLUDES THE FOLLOWING ELECTRIC WIRING & HOOK-UP, WOOD BLOCKING, METAL STUD FRAMING, AND SUPPORTS, REMOVALS, CHOPPING, PATCHING OF EXISTING, ANYTHING NOT SPECIFICALLY CALLED OUT ON GFC SHOP DWGS FINISHES FINAL CLEANING & PROTECTION.

KEY PLAN:

INFORMATION ON THIS DOCUMENT IS PROPRIETARY AND SHALL NOT BE USED, COPIED, REPRODUCED, DISCLOSED IN WHOLE OR IN PART WITHOUT WRITTEN CONSENT OF GFC ORNAMENTAL METAL AND GLASS, LLC. GFC ORNAMENTAL METAL AND GLASS, LLC ASSUMES NO RESPONSIBILITY FOR ANY ERRONEOUS WORK PERFORMED BY OTHER TRADES USING THESE DRAWINGS.

No.	Revision/Issue	Date
1	AS PER ARCHITECT'S COMMENTS	12/17/23

Prepared by
G.F.C. | ORNAMENTAL METAL & GLASS, LLC.
 2200 JERICHO TPKE
 NEW HYDE PARK, NY
 Tel: (516) 880-4655
 www.gfc-omg.com

ARCHITECT:
Fifield Piarker Elman

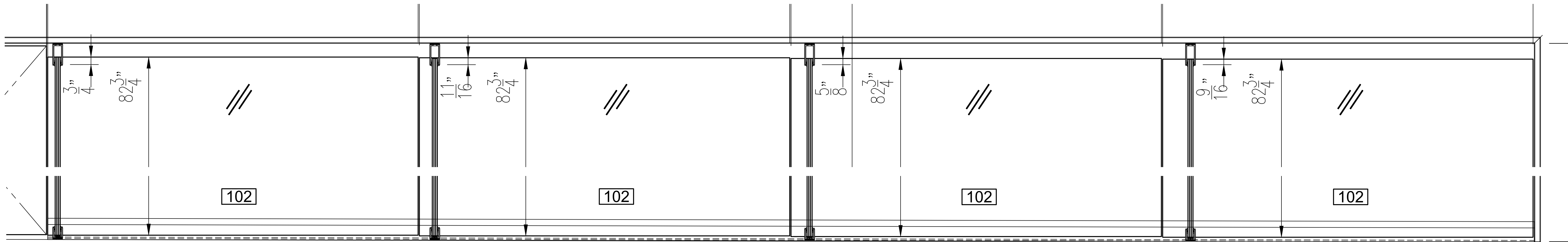
General contractor:
Rinnovo

CLUB PILATES

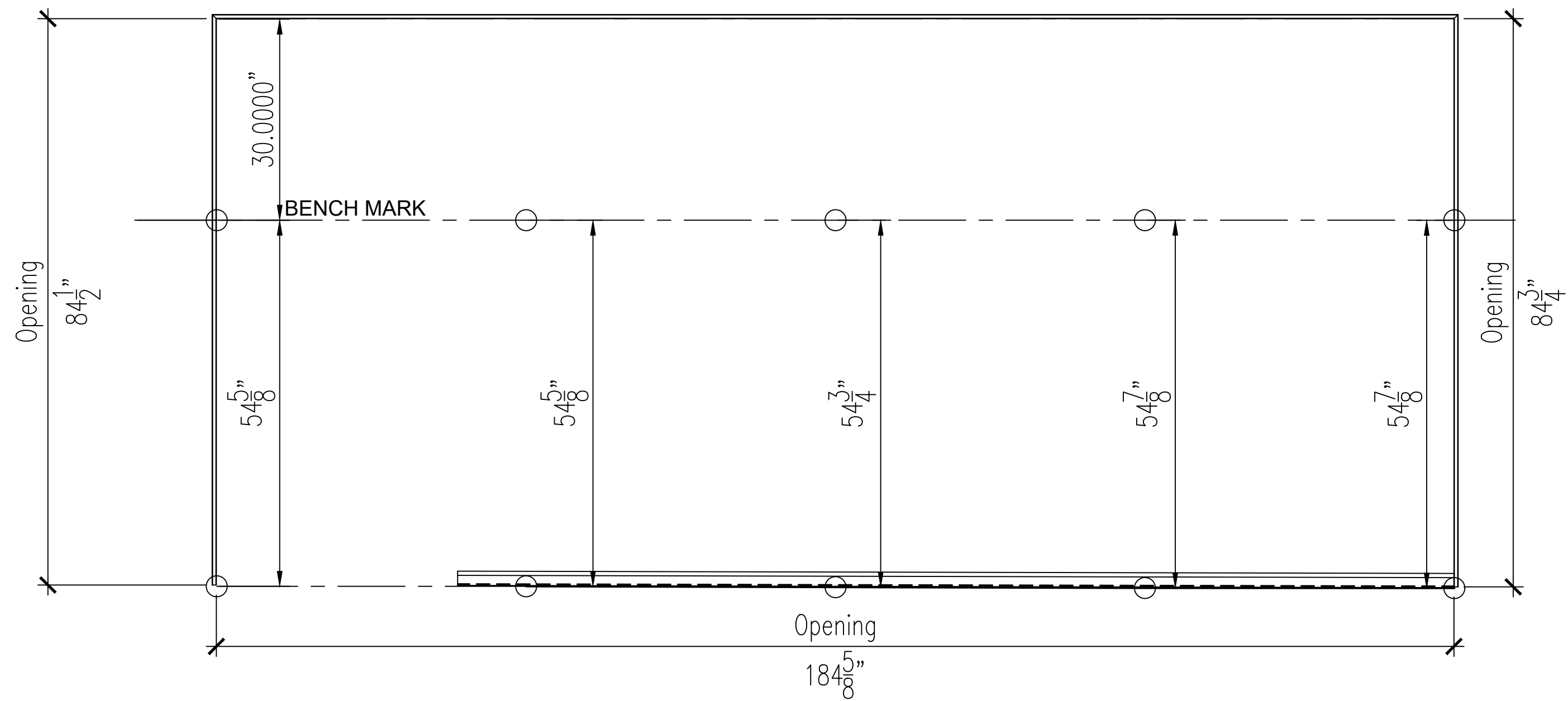
Title
 Door # 101

PM	Scale: (ARCH.D)	Sheet No.
F.Z.	SEE NOTED	
Drawn by	First date of issue	
Leo	12/07/23	F-101
Checked by	Job No.	
G.Z.	23934	
Approved by		
G.Z.		

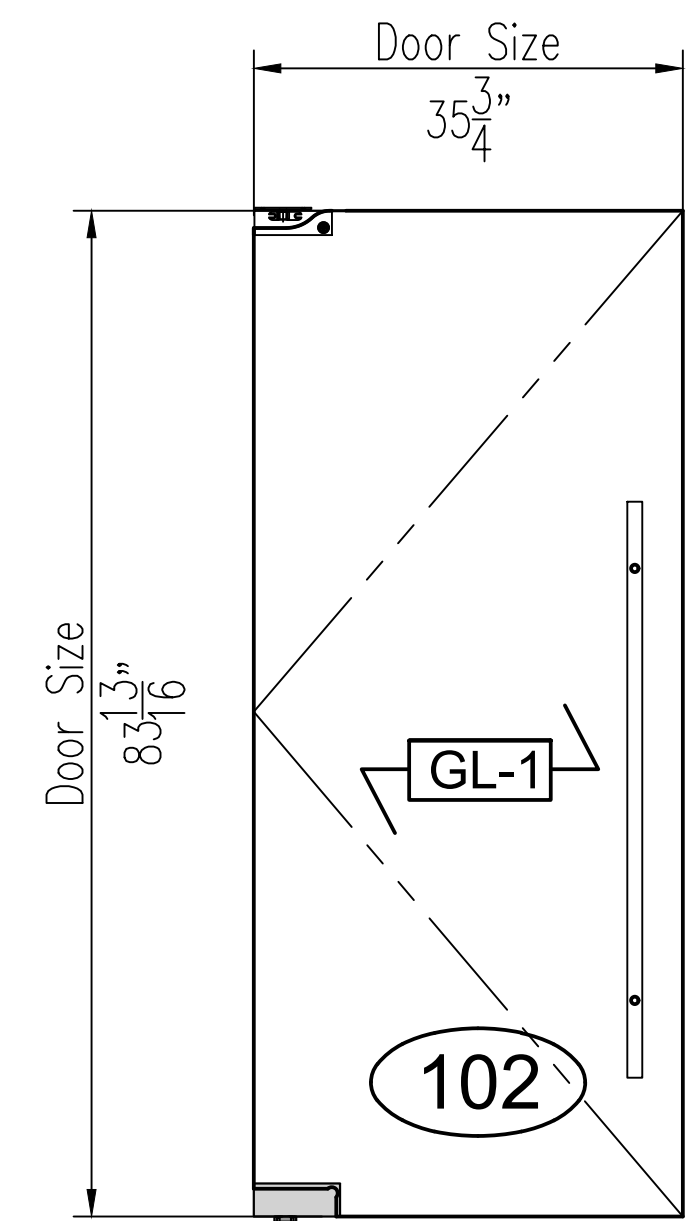
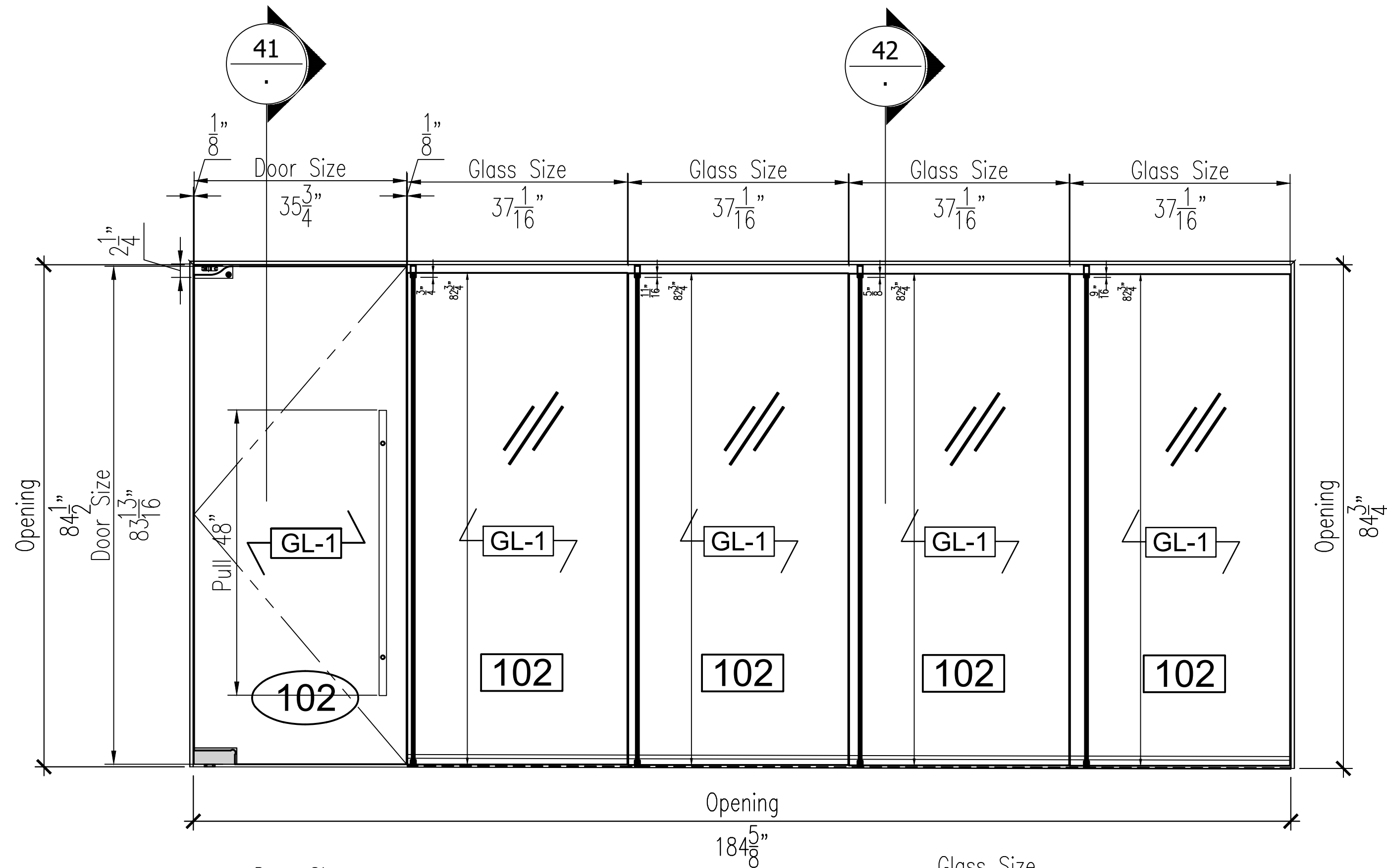
Director: G. Vespa Vespa (Oronoco) GFC Ornamental Metal and Glass | 23934 Club Pilates - 501 7th Ave - Site T10A Rev-1 V23934 Rev GFC OMG Club Pilates 12-18-23.dwg - Date: 18 Dec 2023 08:36 - By: ecsp



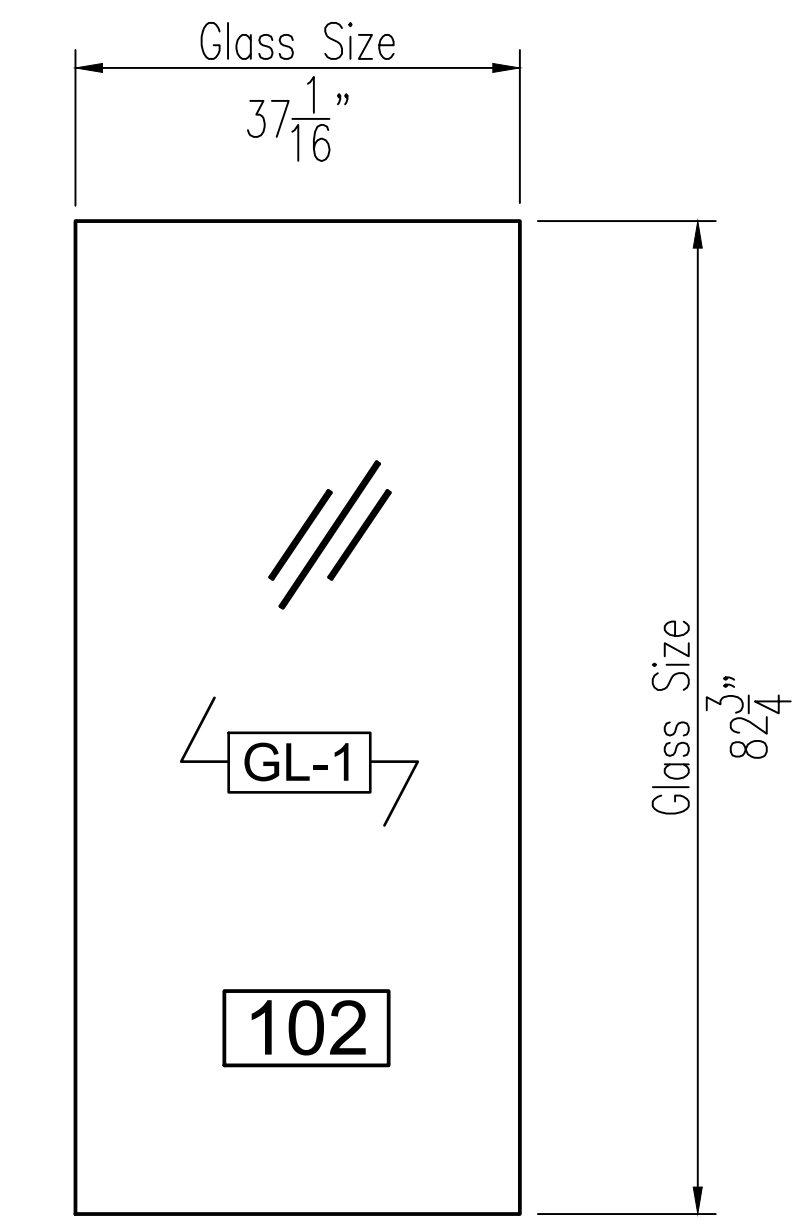
ELEVATION GLASS PANEL TOP & BOTTOM



FIELD MEASUREMENT



DOOR



GLASS PANEL

Finishes

General Notes

1. ALL DIMENSIONS TO BE FIELD IN VERIFIED PRIOR TO FABRICATION & INSTALLATION.
2. SEE OTHER DRAWINGS FOR MORE NOTES.
3. CAULKING AT BUTT JOINTS TYPICAL.
4. MINIMUM 1/8" GAP, U.O.N.
5. WRITTEN DIMENSIONS SUPERCEDE ALL SCALED DIMENSIONS.
6. ALL FASTENERS ARE 300 SERIES STAINLESS STEEL, U.O.N.
7. METAL STUD FRAMING & WOOD BLOCKING NOT BY GFC OMG.
8. ALL GLASS JOINTS, ALL GLASS SIZES WILL HAVE A TOLERANCE OF ±1/8", U.O.N.
9. SEE GFC OMG DWG # Z-000 FOR GLASS FINISH SCHEDULES & LOCATION OF ALL ITEMS.
10. ANY MATERIALS LISTED w/LEAD TIMES ARE APPROX. AFTER FIELD SIZES HAVE BEEN TAKEN OR APPROVED / GUARANTEED DIMENSIONS.
11. GFC EXCLUDES THE FOLLOWING ELECTRIC WIRING & HOOK-UP, WOOD BLOCKING, METAL STUD FRAMING, AND SUPPORTS, REMOVALS, CHIPPING, PATCHING OF EXISTING. ANYTHING NOT SPECIFICALLY CALLED OUT ON GFC SHOP DWGS FINISHES FINAL CLEANING & PROTECTION.

KEY PLAN:

INFORMATION ON THIS DOCUMENT IS PROPRIETARY AND SHALL NOT BE USED, COPIED, REPRODUCED, DISCLOSED IN WHOLE OR IN PART WITHOUT WRITTEN CONSENT OF GFC ORNAMENTAL METAL AND GLASS, LLC. GFC ORNAMENTAL METAL AND GLASS, LLC ASSUMES NO RESPONSIBILITY FOR ANY ERRONEOUS WORK PERFORMED BY OTHER TRADES USING THESE DRAWINGS.

AS PER ARCHITECT'S COMMENTS		12/17/23
No.	Revision/Issue	Date

Prepared by
G.F.C. | ORNAMENTAL METAL & GLASS, LLC.
 2200 JERICHO TPKE
 NEW HYDE PARK, NY
 Tel: (516) 880-4655
 www.gfc-omg.com

ARCHITECT:

Fifield Piarker Elman

General contractor:

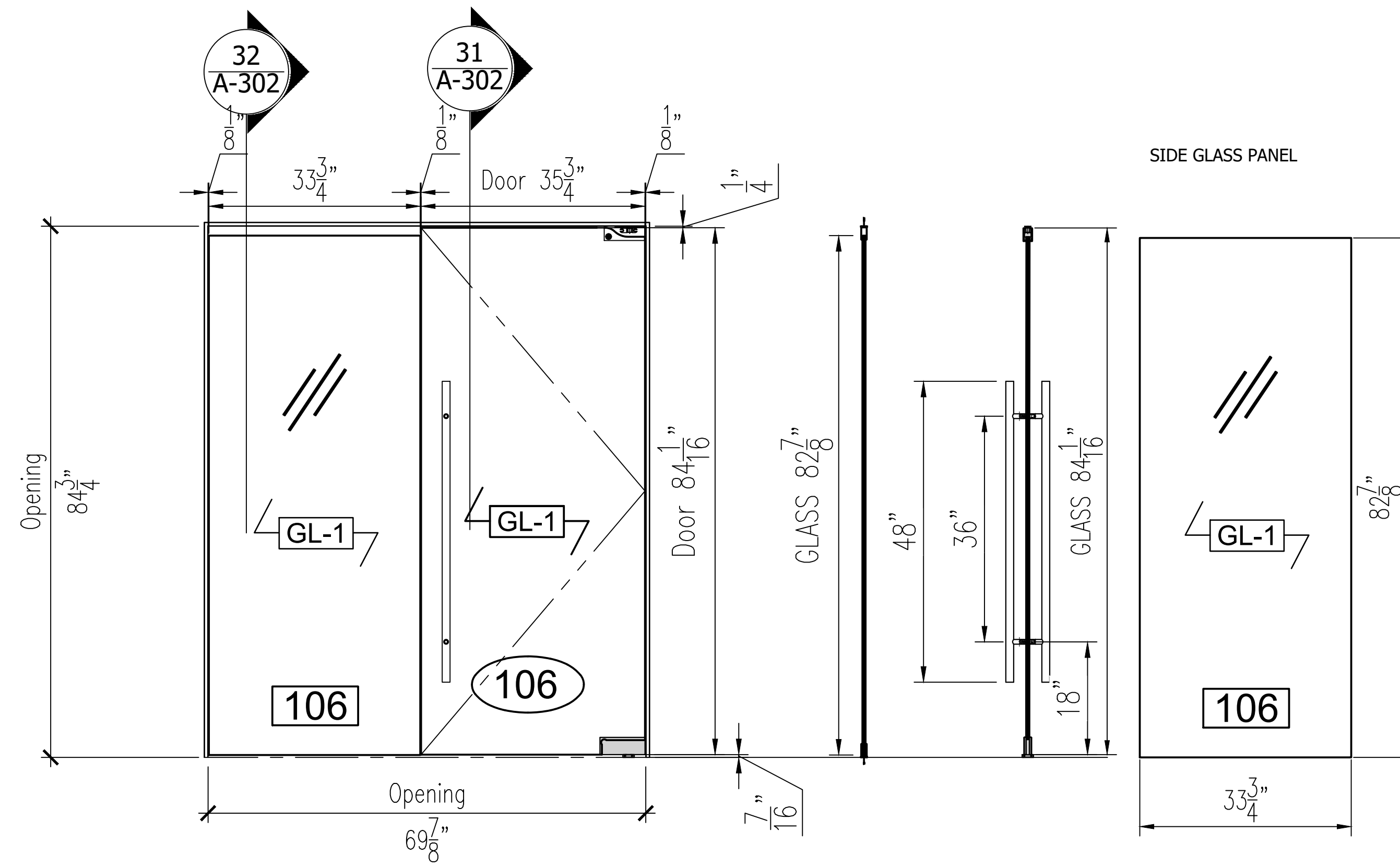
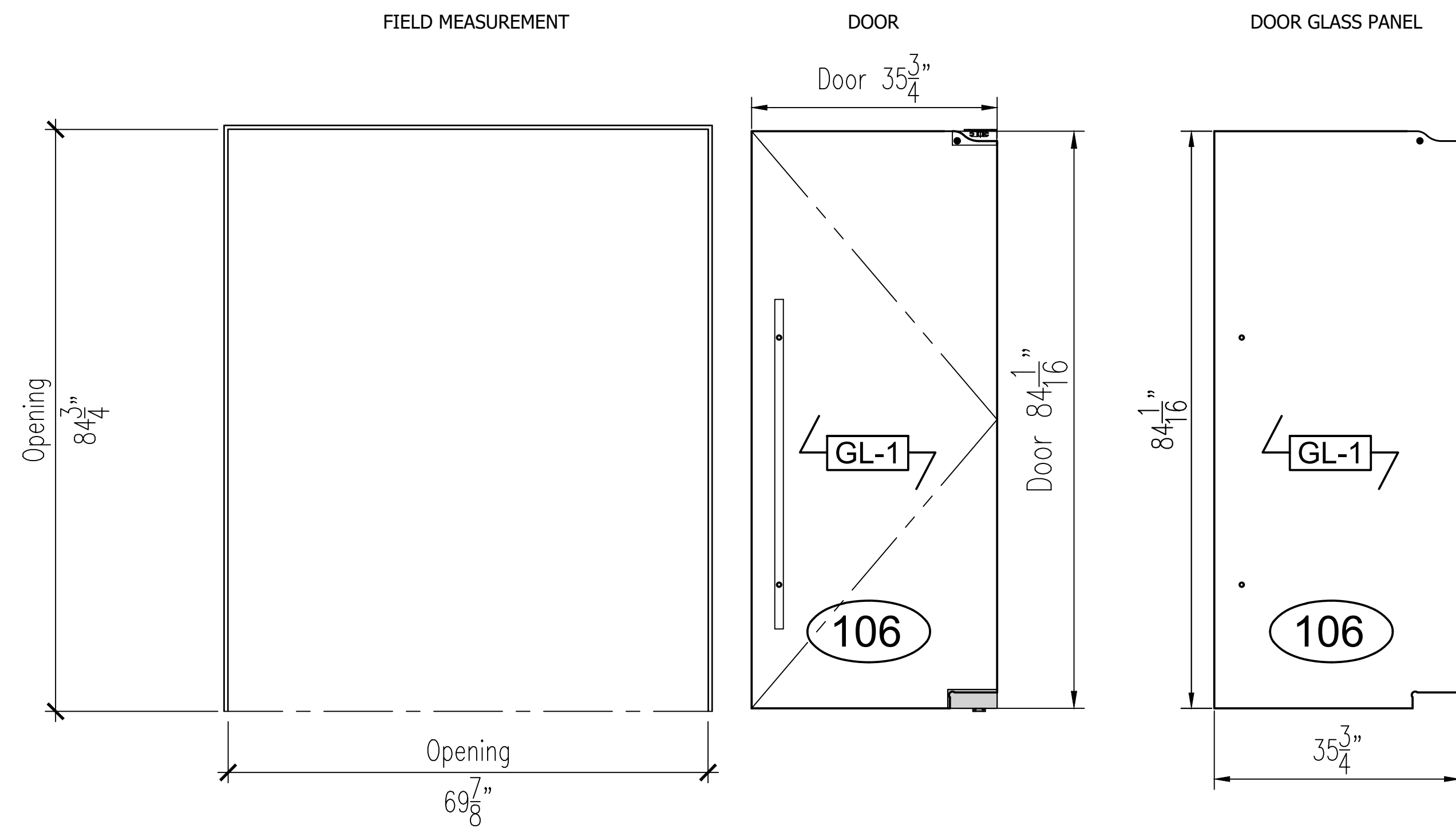
Rinnovo

CLUB PILATES

Title

Door # 106

PM	Scale: (ARCH.D)	Sheet No.
F.Z.	SEE NOTED	
Drawn by	First date of issue	
Leo	12/07/23	F-106
Checked by	Job No.	
G.Z.	23934	
Approved by		
G.Z.		



DOOR #106 ELEVATION & DETAILS

Finishes

General Notes

1. ALL DIMENSIONS TO BE FIELD IN VERIFIED PRIOR TO FABRICATION & INSTALLATION.
2. SEE OTHER DRAWINGS FOR MORE NOTES.
3. CAULKING AT BUTT JOINTS TYPICAL.
4. MINIMUM 1/8" GAP, U.O.N.
5. WRITTEN DIMENSIONS SUPERCEDE ALL SCALED DIMENSIONS.
6. ALL FASTENERS ARE 300 SERIES STAINLESS STEEL, U.O.N.
7. METAL STUD FRAMING & WOOD BLOCKING NOT BY GFC OMG.
8. ALL GLASS JOINTS, ALL GLASS SIZES WILL HAVE A TOLERANCE OF ±1/8", U.O.N.
9. SEE GFC OMG DWG # Z-000 FOR GLASS FINISH SCHEDULES & LOCATION OF ALL ITEMS.
10. ANY MATERIALS LISTED w/LEAD TIMES ARE APPROX. AFTER FIELD SIZES HAVE BEEN TAKEN OR APPROVED / GUARANTEED DIMENSIONS.
11. GFC EXCLUDES THE FOLLOWING ELECTRIC WIRING & HOOK-UP, WOOD BLOCKING, METAL STUD FRAMING, AND SUPPORTS, REMOVALS, CHOPPING, PATCHING OF EXISTING, ANYTHING NOT SPECIFICALLY CALLED OUT ON GFC SHOP DWGS FINISHES FINAL CLEANING & PROTECTION.

KEY PLAN:

INFORMATION ON THIS DOCUMENT IS PROPRIETARY AND SHALL NOT BE USED, COPIED, REPRODUCED, DISCLOSED IN WHOLE OR IN PART WITHOUT WRITTEN CONSENT OF GFC ORNAMENTAL METAL AND GLASS, LLC. GFC ORNAMENTAL METAL AND GLASS, LLC ASSUMES NO RESPONSIBILITY FOR ANY ERRONEOUS WORK PERFORMED BY OTHER TRADES USING THESE DRAWINGS.

AS PER ARCHITECT'S COMMENTS	12/17/23
No.	Revision/Issue
	Date

Prepared by
G.F.C. | ORNAMENTAL METAL & GLASS, LLC.
 2200 JERICHO TPKE
 NEW HYDE PARK, NY
 Tel: (516) 880-4655
 www.gfc-omg.com

ARCHITECT:
Fifield Piarker Elman

General contractor:
Rinnovo

CLUB PILATES

Title
 Door # 106

PM F.Z.	Scale: (ARCH.D) SEE NOTED	Sheet No.
Drawn by Leo	First date of issue 12/07/23	F-106
Checked by G.Z.	Job No. 23934	
Approved by G.Z.		

Director: G. Vespa Vespa Orsatta GFC Ornamental Metal and Glass 23934 Club Pilates - 507 7th Ave - Site 10A Rev - 12/23/23 Rev GFC DMC Club Pilates - 12-18-23.dwg - Date: 18 Dec 2023 08:36 - By: ecsp