

# THE SPIRAL

## 66 HUDSON BLVD E

## NEW YORK, NY 10001

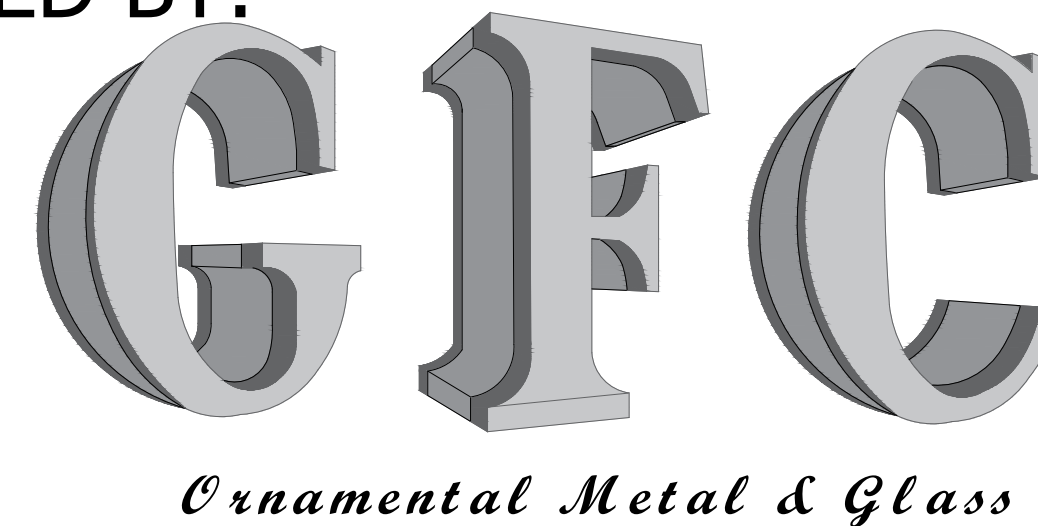
## 33RD FLOOR

ARCHITECT:

**FOGARTY FINGER**  
architecture | interiors

69 Walker Street New York, NY 10013  
t 212 966 7450 f 212 966 7444

PREPARED BY:



General contractor:

**Clune Construction Co,**

Located in: Grand Central-42 St  
405 Lexington Ave # 28, New York, NY 10174  
Phone: (212) 682-1789

TABLE of CONTENTS			SUBMISSION 10/23/2023
1	Z-01	Cover Sheet	•
2	Z-02	Isometric, Sections	•
3	Z-03	Plan Elevation	•
4	Z-04	Section	•

FINISH SCHEDULE:

 #4 Satin Stainless Steel

1/2" TEMPERED CLEAR GLASS PANEL

THESE DRAWINGS ARE THE SOLE PROPERTY OF GFC ORNAMENTAL METAL & GLASS AND MAY NOT BE USED OR DUPLICATED WITHOUT A WRITTEN CONSENT FROM GFC OMG. GFC OMG WILL NOT ASSUME RESPONSIBILITY FOR WORK ON ERRORS INCURRED BY OTHER TRADES SHOULD THESE DRAWINGS BE USED WITHOUT THE KNOWLEDGE OF GFC OMG.

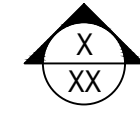
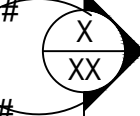
ADDITIONAL COPIES ARE AVAILABLE UPON REQUEST.

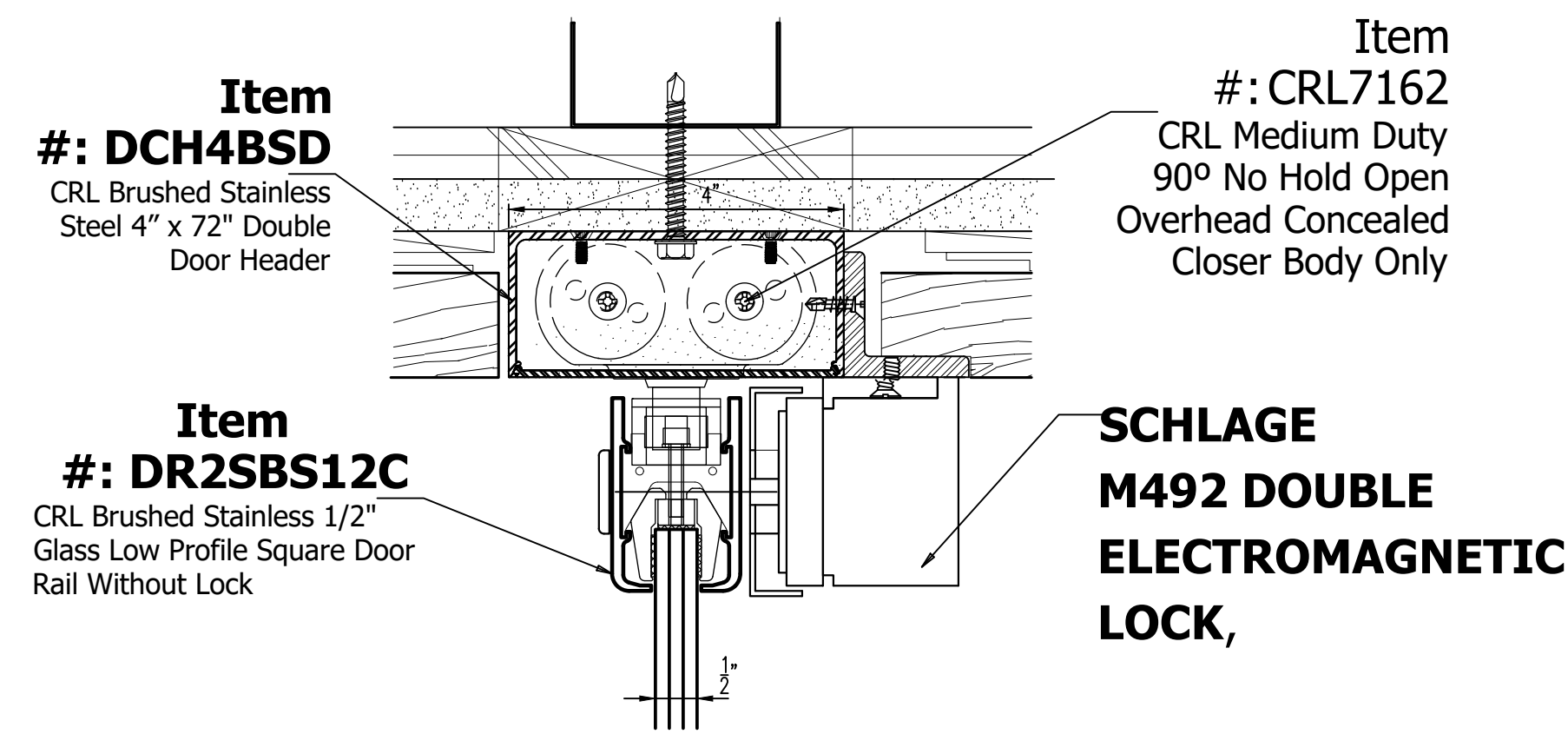
Architectural drawings:	
Type:	Issue for ADD #1
Date:	09/23/2023

NO.	DATE	DESCRIPTION

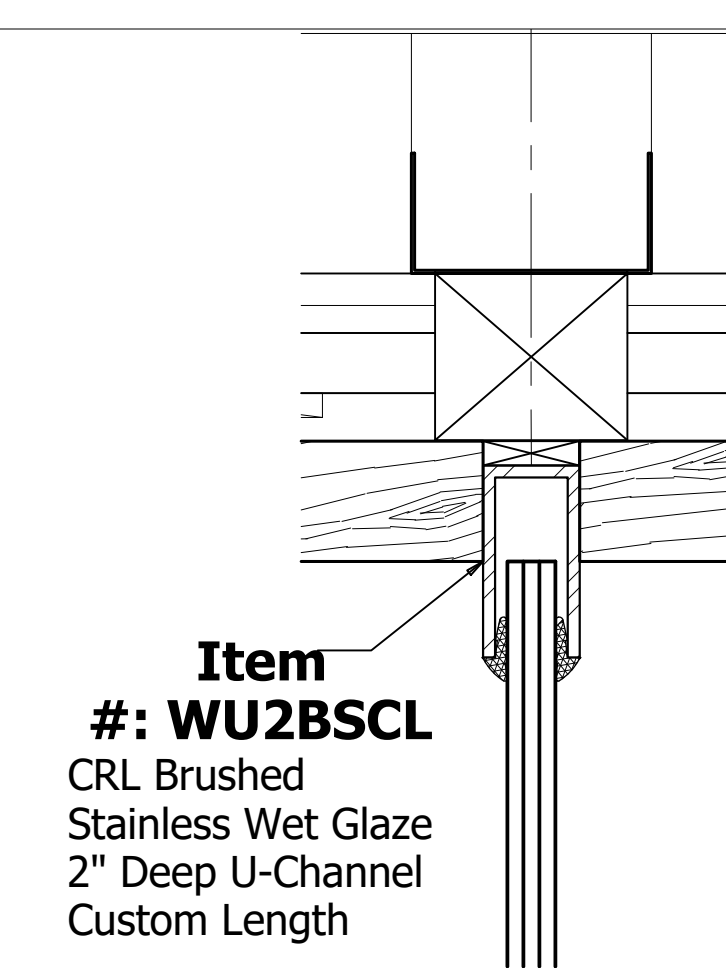
THE SPIRAL	
PROPOSAL:	# 23-906
DATE: (First date of issue)	10/25/2023
DRAWN BY:	P.M.:
Leo	F.Z.

LEGENDS, SYMBOLS & ABBREVIATIONS:

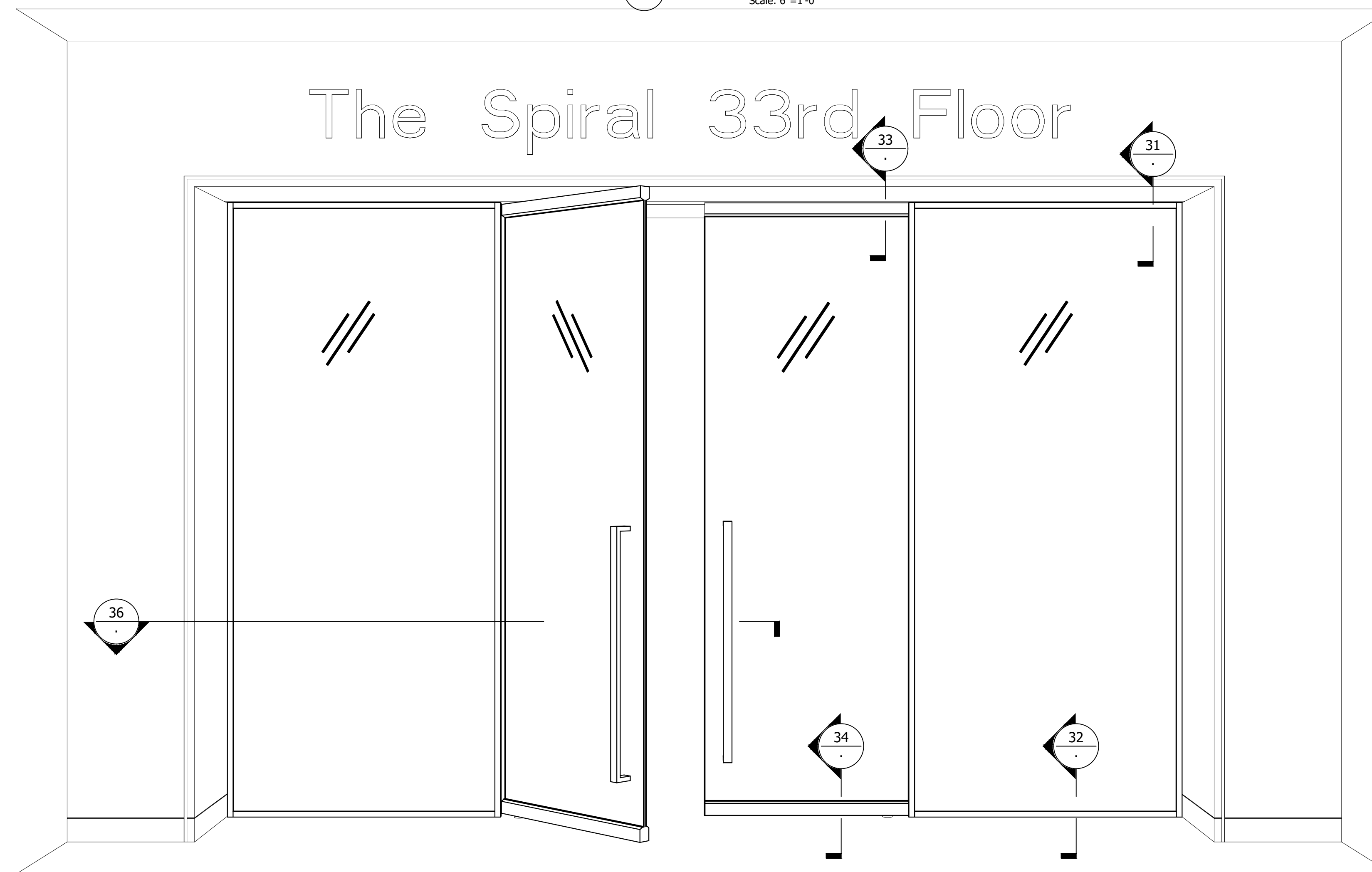
 - ELEVATION CALLOUT: UPPER NUMBER DENOTES DRAWING REFERENCE, LOWER NUMBER DENOTES SHEET NUMBER	 - DETAIL CALLOUT: UPPER NUMBER DENOTES DRAWING REFERENCE LOWER NUMBER DENOTES SHEET NUMBER	<table border="0"> <tr> <td>A.F.F.</td> <td>ABOVE FINISH FLOOR</td> <td>O.C.</td> <td>ON-CENTER</td> </tr> <tr> <td>ARCH.</td> <td>ARCHITECT</td> <td>OPP.</td> <td>OPPOSITE</td> </tr> <tr> <td>B.O.</td> <td>BOTTOM OF</td> <td>QTY.</td> <td>QUANTITY</td> </tr> <tr> <td>B.T.B.</td> <td>BACK-TO-BACK</td> <td>R.F.</td> <td>ROUGH OPENING</td> </tr> <tr> <td>C.</td> <td>CENTERLINE</td> <td>REF.</td> <td>REFERENCE</td> </tr> <tr> <td>D.H.</td> <td>DOOR HEIGHT</td> <td>S.S.</td> <td>STAINLESS STEEL</td> </tr> <tr> <td>D.L.</td> <td>DAYLIGHT</td> <td>SIM.</td> <td>SIMILAR</td> </tr> <tr> <td>D.L.O.</td> <td>DAYLIGHT OPENING</td> <td>T.O.S.</td> <td>TOP OF SLAB</td> </tr> <tr> <td>D.O.</td> <td>DOOR OPENING</td> <td>T.O.F.F.</td> <td>TOP OF FINISH FLOOR</td> </tr> <tr> <td>D.W.</td> <td>DOOR WIDTH</td> <td>TYP.</td> <td>TYPICAL</td> </tr> <tr> <td>F.O.G.</td> <td>FRONT OF GLASS</td> <td>V.I.F.</td> <td>VERIFY IN FIELD</td> </tr> <tr> <td>G.S.</td> <td>GLASS SIZE</td> <td></td> <td></td> </tr> <tr> <td>HT.</td> <td>HEIGHT</td> <td></td> <td></td> </tr> <tr> <td>O.A.</td> <td>OVERALL</td> <td></td> <td></td> </tr> </table>	A.F.F.	ABOVE FINISH FLOOR	O.C.	ON-CENTER	ARCH.	ARCHITECT	OPP.	OPPOSITE	B.O.	BOTTOM OF	QTY.	QUANTITY	B.T.B.	BACK-TO-BACK	R.F.	ROUGH OPENING	C.	CENTERLINE	REF.	REFERENCE	D.H.	DOOR HEIGHT	S.S.	STAINLESS STEEL	D.L.	DAYLIGHT	SIM.	SIMILAR	D.L.O.	DAYLIGHT OPENING	T.O.S.	TOP OF SLAB	D.O.	DOOR OPENING	T.O.F.F.	TOP OF FINISH FLOOR	D.W.	DOOR WIDTH	TYP.	TYPICAL	F.O.G.	FRONT OF GLASS	V.I.F.	VERIFY IN FIELD	G.S.	GLASS SIZE			HT.	HEIGHT			O.A.	OVERALL		
A.F.F.	ABOVE FINISH FLOOR	O.C.	ON-CENTER																																																							
ARCH.	ARCHITECT	OPP.	OPPOSITE																																																							
B.O.	BOTTOM OF	QTY.	QUANTITY																																																							
B.T.B.	BACK-TO-BACK	R.F.	ROUGH OPENING																																																							
C.	CENTERLINE	REF.	REFERENCE																																																							
D.H.	DOOR HEIGHT	S.S.	STAINLESS STEEL																																																							
D.L.	DAYLIGHT	SIM.	SIMILAR																																																							
D.L.O.	DAYLIGHT OPENING	T.O.S.	TOP OF SLAB																																																							
D.O.	DOOR OPENING	T.O.F.F.	TOP OF FINISH FLOOR																																																							
D.W.	DOOR WIDTH	TYP.	TYPICAL																																																							
F.O.G.	FRONT OF GLASS	V.I.F.	VERIFY IN FIELD																																																							
G.S.	GLASS SIZE																																																									
HT.	HEIGHT																																																									
O.A.	OVERALL																																																									



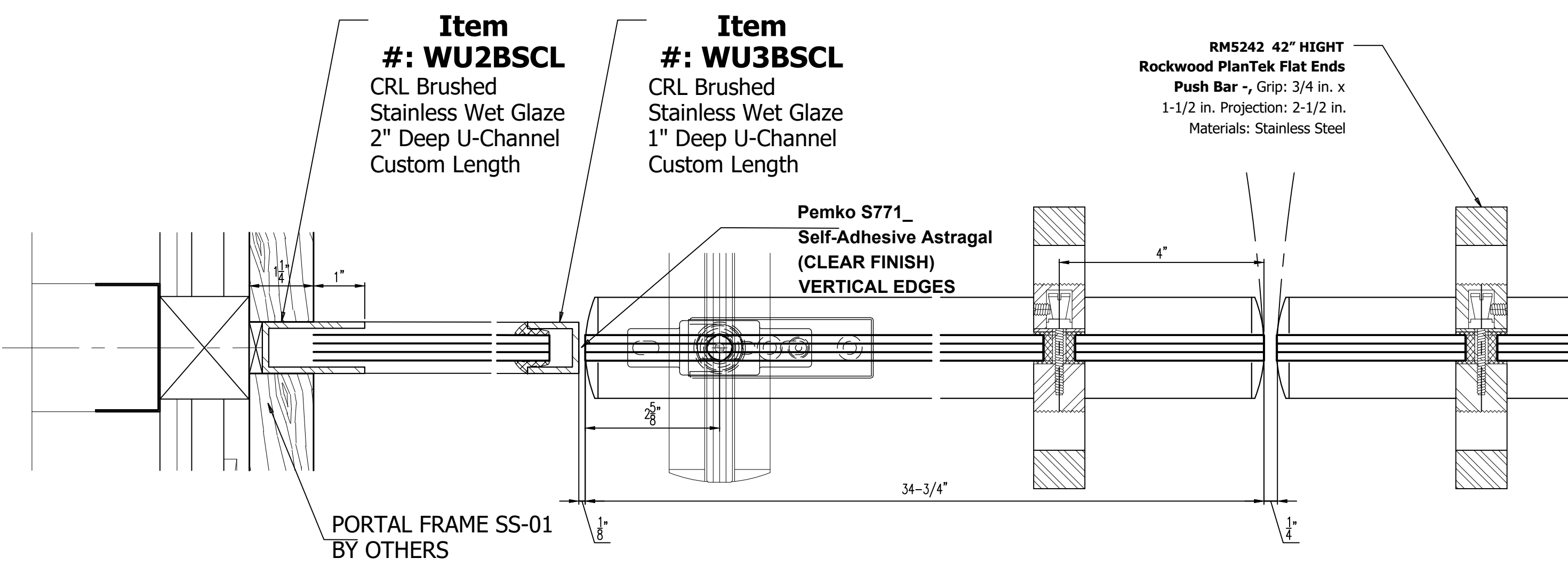
33 SECTION\_VIEW  
Scale: 6"=1'-0"



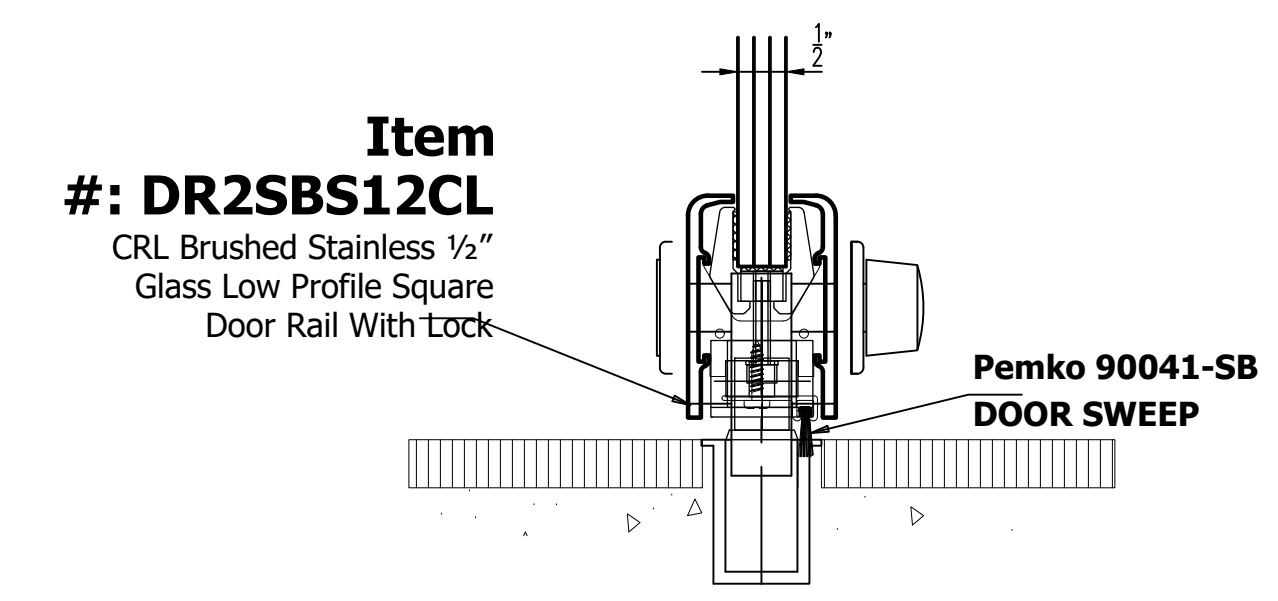
31 SECTION\_VIEW  
Scale: 6"=1'-0"



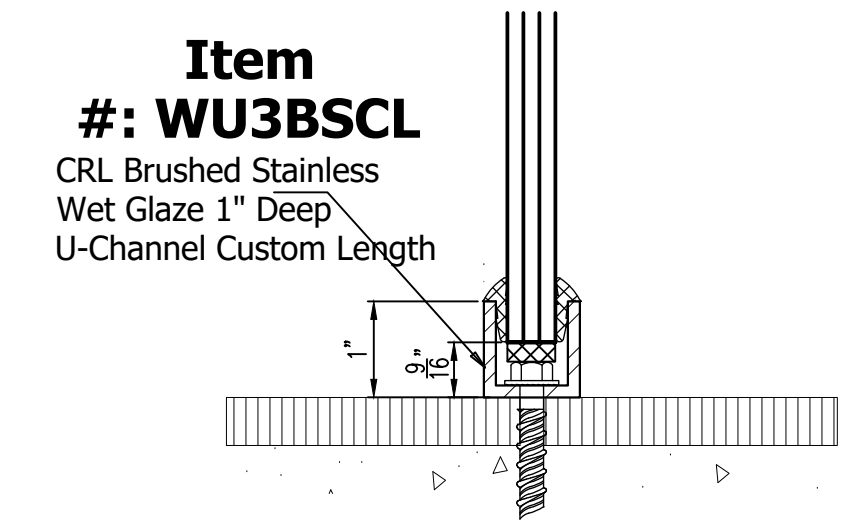
FOR REFERENCE:  
GENERAL STRUCTURAL LAYOUT.  
PERSPECTIVE VIEW  
N.T.S.



36 SECTION\_VIEW  
Scale: 6"=1'-0"



34 SECTION\_VIEW  
Scale: 6"=1'-0"



32 SECTION\_VIEW  
Scale: 6"=1'-0"

Finishes	
MT-1	#4 Satin Stainless Steel
General Notes	
1.	ALL DIMENSIONS TO BE FIELD IN VERIFIED PRIOR TO FABRICATION & INSTALLATION.
2.	SEE OTHER DRAWINGS FOR MORE NOTES.
3.	CAULKING AT BUTT JOINTS TYPICAL.
4.	MINIMUM 1/8" GAP, U.O.N.
5.	WRITTEN DIMENSIONS SUPERCEDE ALL SCALED DIMENSIONS.
6.	ALL FASTENERS ARE 300 SERIES STAINLESS STEEL, U.O.N.
7.	METAL STUD FRAMING & WOOD BLOCKING NOT BY GFC OMG.
8.	ALL GLASS JOINTS, ALL GLASS SIZES WILL HAVE A TOLERANCE OF ±1/8", U.O.N.
9.	SEE GFC OMG DWG # Z-000 FOR GLASS FINISH SCHEDULES & LOCATION OF ALL ITEMS.
10.	ANY MATERIALS LISTED w/LEAD TIMES ARE APPROX. AFTER FIELD SIZES HAVE BEEN TAKEN OR APPROVED / GUARANTEED DIMENSIONS.
11.	GFC EXCLUDES THE FOLLOWING ELECTRIC WIRING & HOOK-UP, WOOD BLOCKING, METAL STUD FRAMING, AND SUPPORTS, REMOVALS, CHOPPING, PATCHING OF EXISTING, ANYTHING NOT SPECIFICALLY CALLED OUT ON GFC SHOP DWGS FINISHES FINAL CLEANING & PROTECTION.
KEY PLAN:	

No.	Revision/Issue	Date

Prepared by  
**G.F.C.** | ORNAMENTAL METAL & GLASS, LLC.  
2200 JERICHO TPKE  
NEW HYDE PARK, NY  
Tel: (516) 880-4655  
www.gfc-omg.com

ARCHITECT:  
**FOGARTY FINGER**  
architecture | interiors  
69 Walker Street New York, NY 10013  
t 212 966 7400

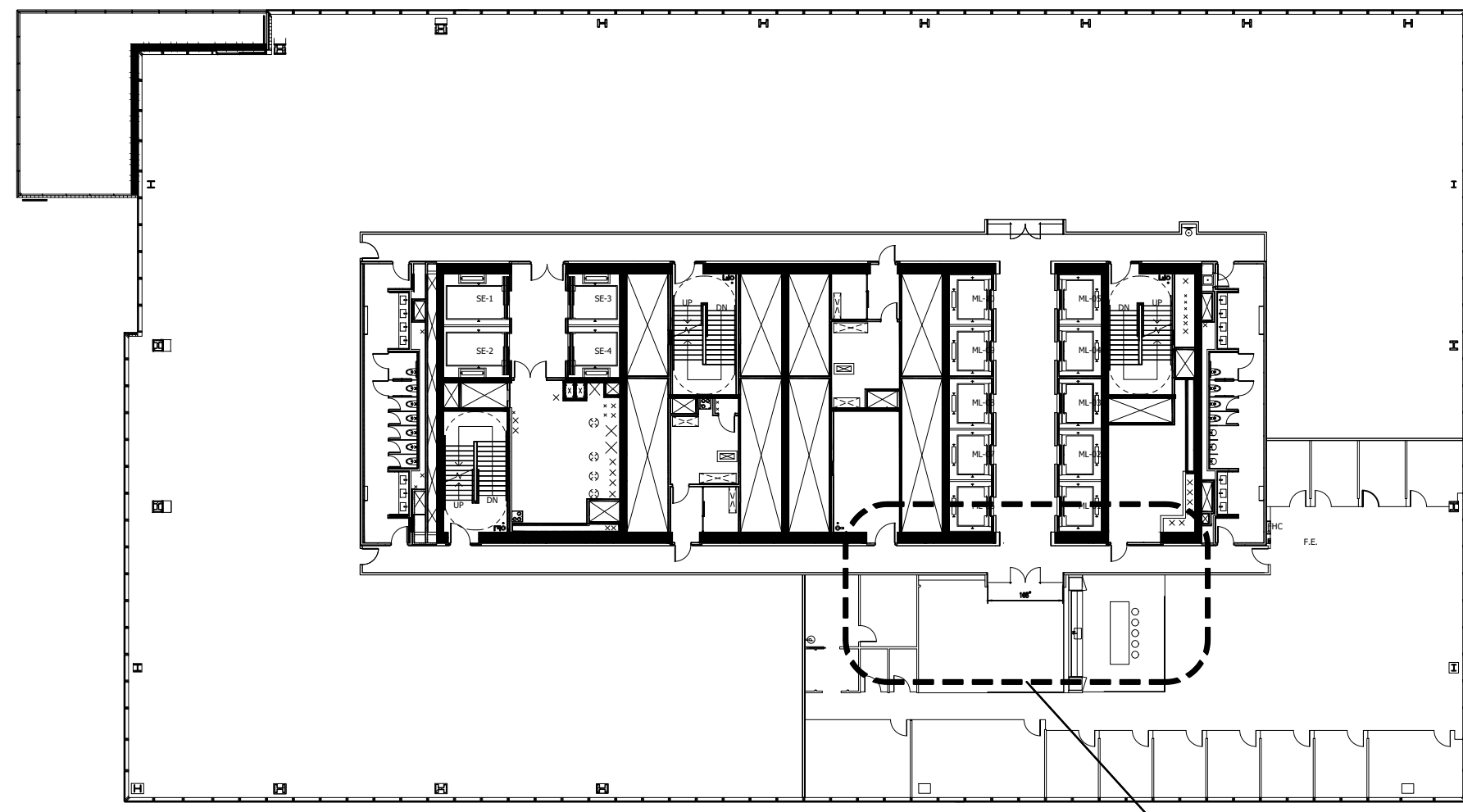
General contractor:  
**Clune Construction Co,**  
Located in: Grand Central-42 St  
405 Lexington Ave # 28, New York, NY 10174  
Phone: (212) 682-1789

**THE SPIRAL**  
66 HUDSON BLVD E  
NEW YORK, NY 10001  
33RD FLOOR

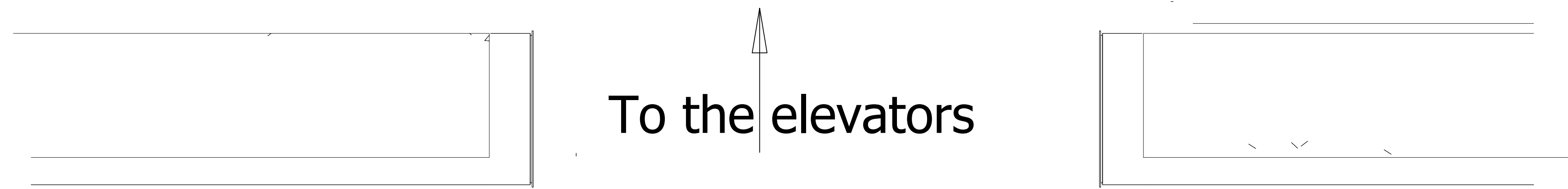
Title  
Isometric, Sections

PM	F.Z.	Scale: (ARCH-D)	Sheet No.
Drawn by	Leo	SEE NOTED	Z-002
Checked by	G.Z.	10/15/23	
Approved by	G.Z.	Job No.	

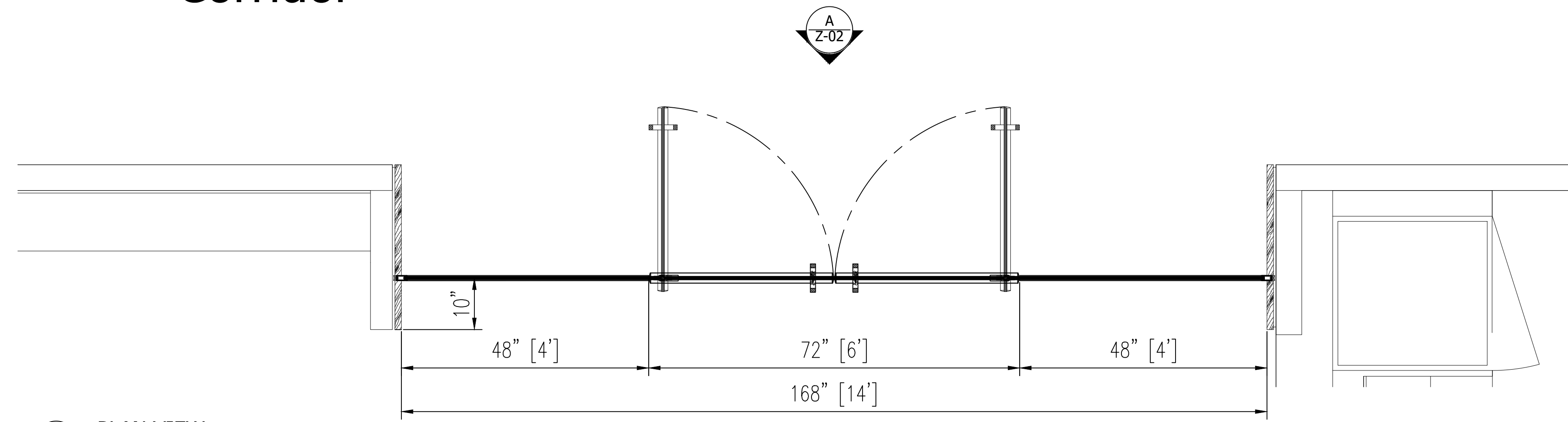
Director: G.Visera/Assistant: M.Visera/Architect: G.Fogarty/Interior: J.Finger/Structural: S.Visera/MEP: S.Visera/Rev: 01/15/23/Date: 29 Oct 2023/17:52 - By: eegp



33 KEY PLAN 33rd FLOOR  
Scale: NTS

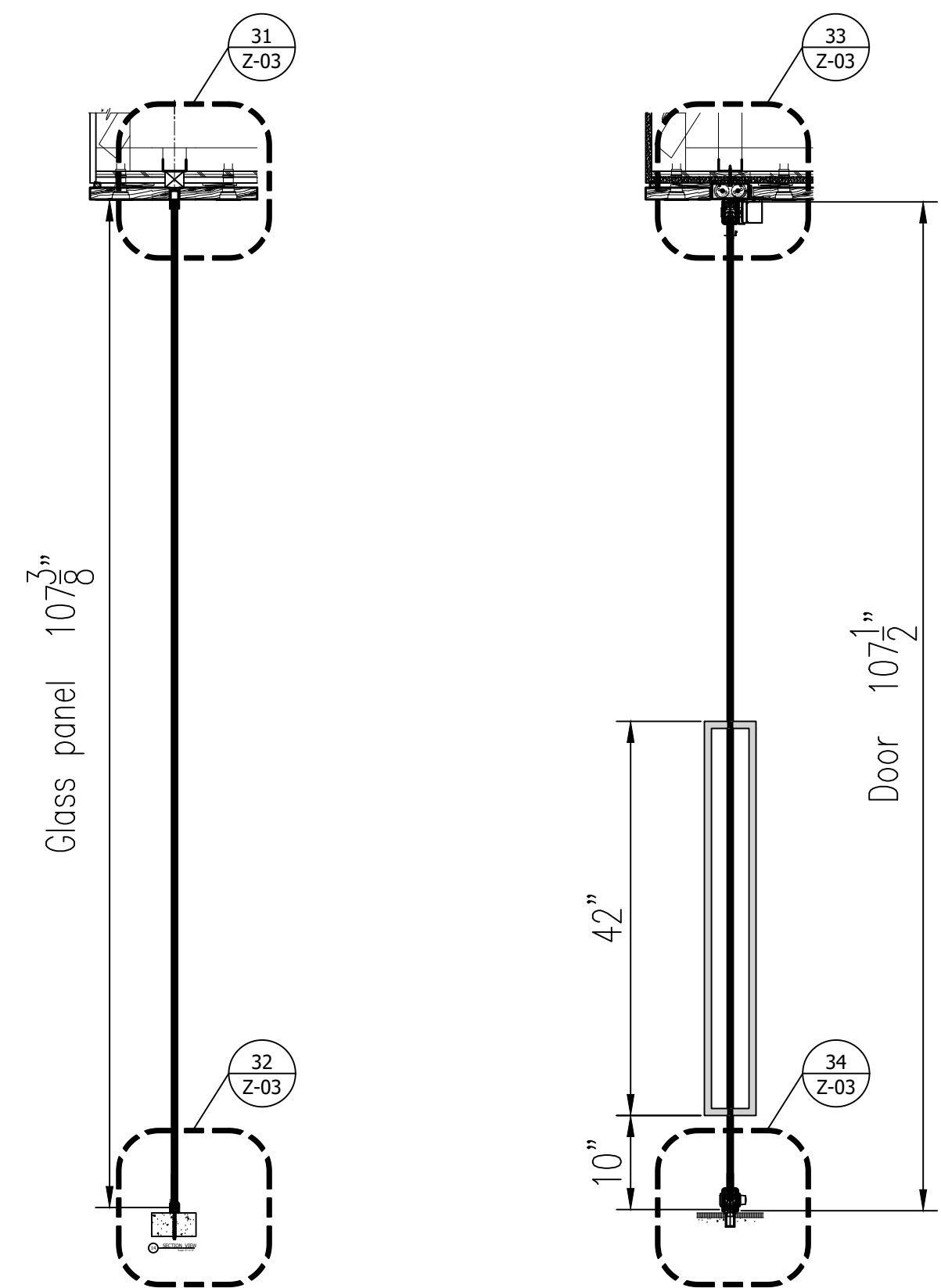


Corridor



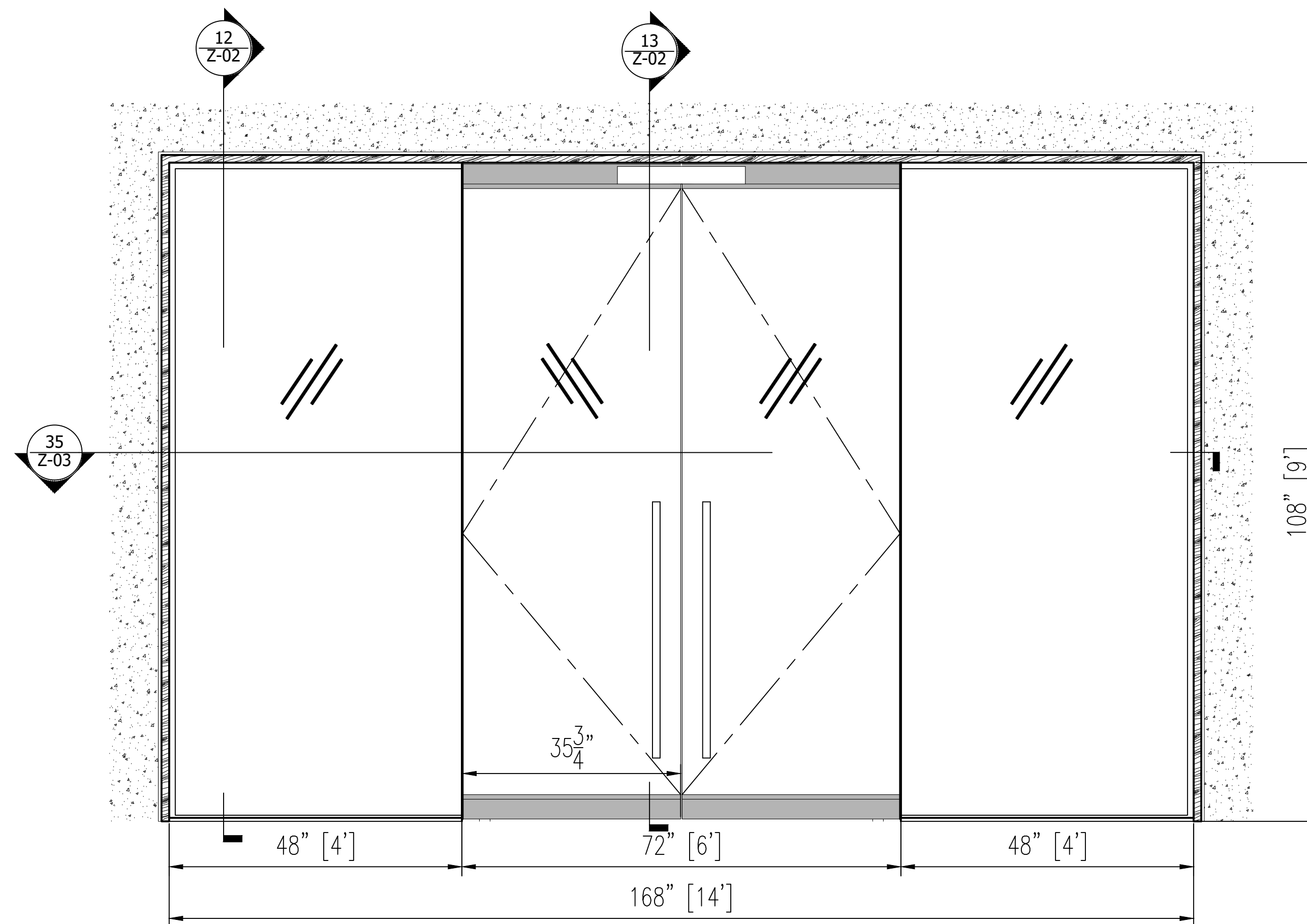
33A PLAN VIEW

Scale: 3/4"=1'-0"



12 SECTION  
Scale: 3/4"=1'-0"

13 SECTION  
Scale: 3/4"=1'-0"



A ELEVATION

Scale: 3/4"=1'-0"

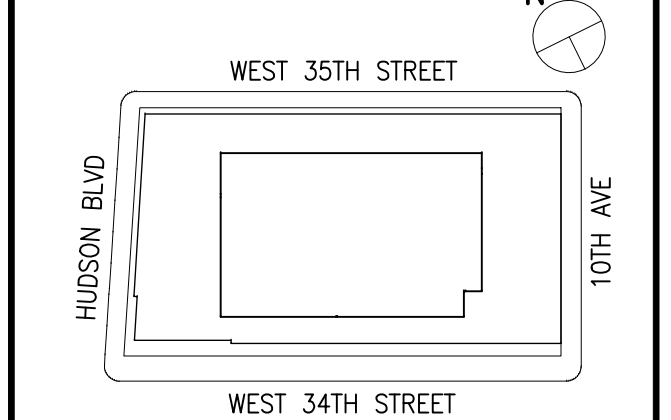
Finishes

MT-1 #4 Satin Stainless Steel

General Notes

1. ALL DIMENSIONS TO BE FIELD IN VERIFIED PRIOR TO FABRICATION & INSTALLATION.
2. SEE OTHER DRAWINGS FOR MORE NOTES.
3. CAULKING AT BUTT JOINTS TYPICAL.
4. MINIMUM 1/8" GAP, U.O.N.
5. WRITTEN DIMENSIONS SUPERCEDE ALL SCALED DIMENSIONS.
6. ALL FASTENERS ARE 300 SERIES STAINLESS STEEL, U.O.N.
7. METAL STUD FRAMING & WOOD BLOCKING NOT BY GFC OMG.
8. ALL GLASS JOINTS, ALL GLASS SIZES WILL HAVE A TOLERANCE OF ±1/8", U.O.N.
9. SEE GFC OMG DWG # Z-000 FOR GLASS FINISH SCHEDULES & LOCATION OF ALL ITEMS.
10. ANY MATERIALS LISTED w/LEAD TIMES ARE APPROX. AFTER FIELD SIZES HAVE BEEN TAKEN OR APPROVED / GUARANTEED DIMENSIONS.
11. GFC EXCLUDES THE FOLLOWING ELECTRIC WIRING & HOOK-UP, WOOD BLOCKING, METAL STUD FRAMING, AND SUPPORTS, REMOVALS, CHOPPING, PATCHING OF EXISTING, ANYTHING NOT SPECIFICALLY CALLED OUT ON GFC SHOP DWGS FINISHES FINAL CLEANING & PROTECTION.

KEY PLAN:



INFORMATION ON THIS DOCUMENT IS PROPRIETARY AND SHALL NOT BE USED, COPIED, REPRODUCED, DISCLOSED IN WHOLE OR IN PART WITHOUT WRITTEN CONSENT OF GFC ORNAMENTAL METAL AND GLASS, LLC. GFC ORNAMENTAL METAL AND GLASS, LLC ASSUMES NO RESPONSIBILITY FOR ANY ERRONEOUS WORK PERFORMED BY OTHER TRADES USING THESE DRAWINGS.

No.	Revision/Issue	Date

Prepared by  
**G.F.C.** | ORNAMENTAL METAL & GLASS, LLC.  
2200 JERICHO TPKE  
NEW HYDE PARK, NY  
Tel: (516) 880-4655  
www.gfc-omg.com

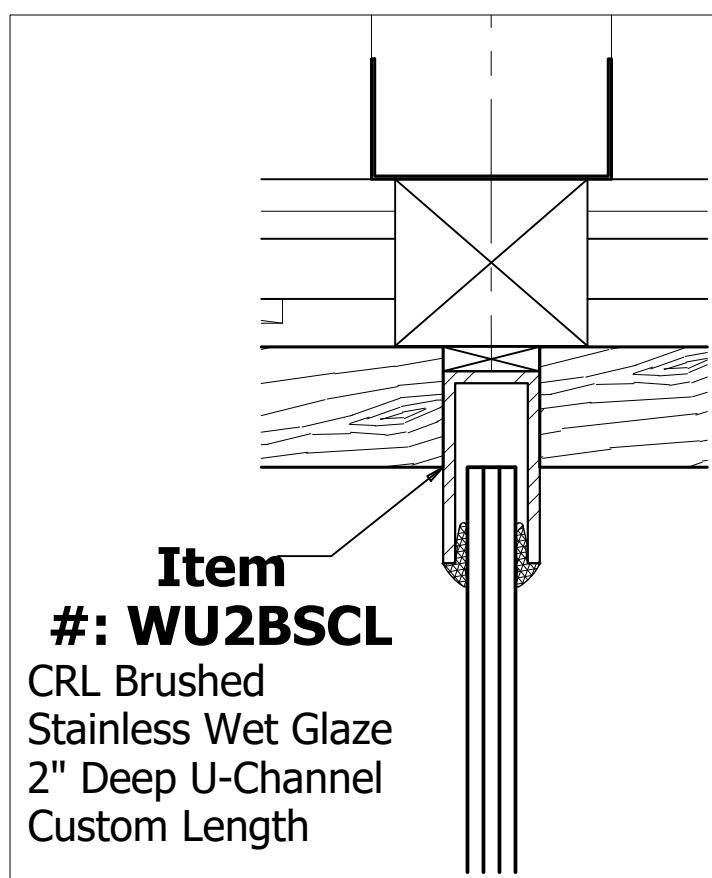
ARCHITECT:  
**FOGARTY FINGER**  
architecture | interiors  
69 Walker Street New York, NY 10013  
t 212 966 7400

General contractor:  
**Clune Construction Co,**  
Located in: Grand Central-42 St  
405 Lexington Ave # 28, New York, NY 10174  
Phone: (212) 682-1789

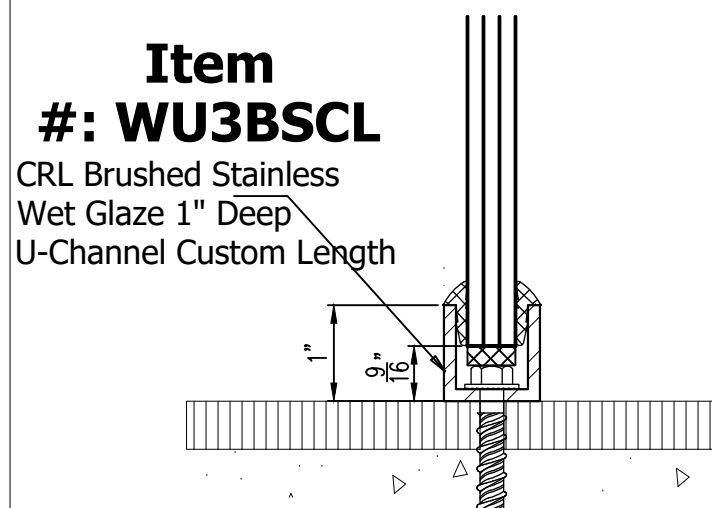
**THE SPIRAL**  
66 HUDSON BLVD E  
NEW YORK, NY 10001  
33RD FLOOR

Title  
**PLAN ELEVATIONS SECTIONS**

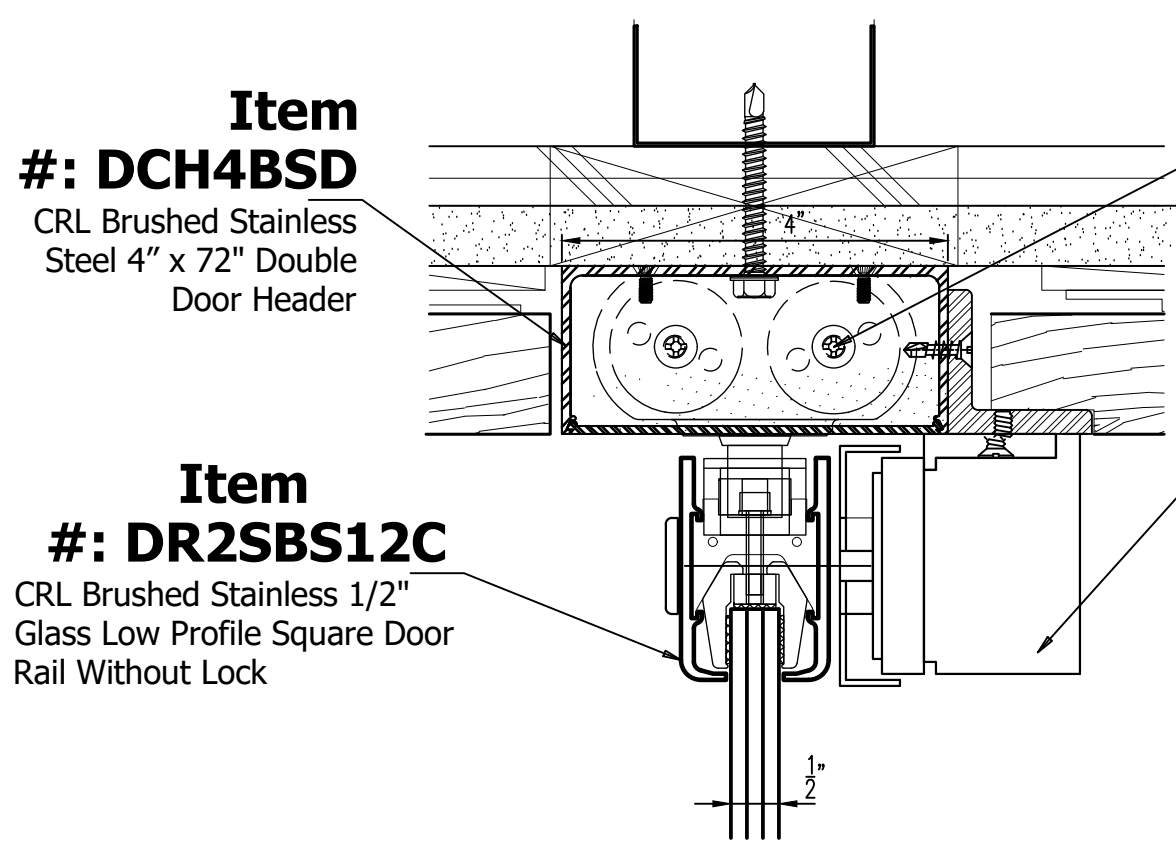
PM	Scale: (ARCH.D)	Sheet No.
F.Z.	<b>SEE NOTED</b>	
Drawn by	First date of issue	<b>Z-003</b>
Leo	10/15/23	
Checked by	Job No.	
G.Z.		
Approved by		



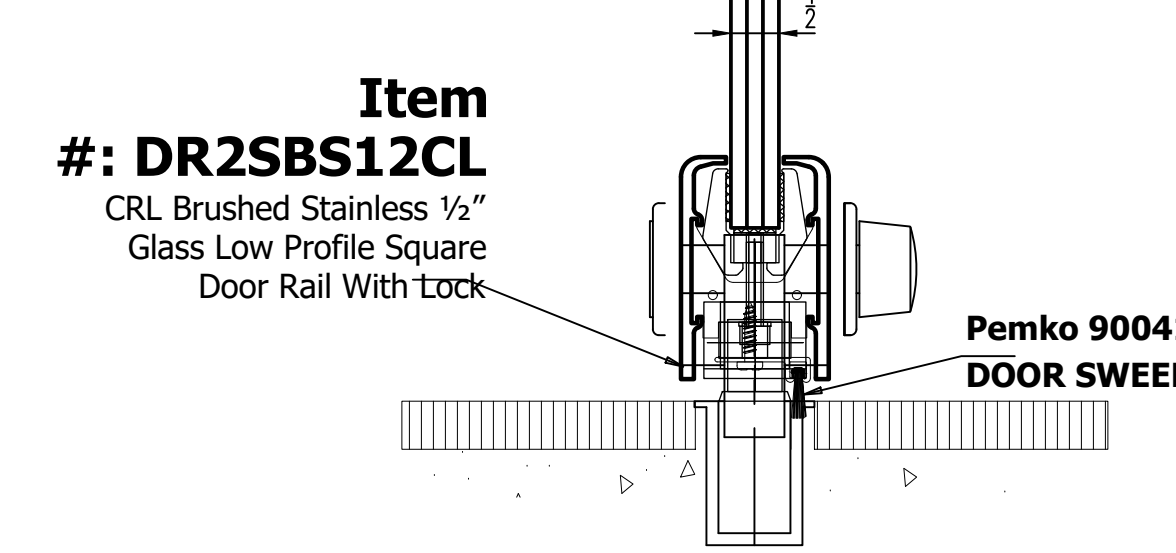
31 SECTION\_VIEW  
Scale: 6"=1'-0"



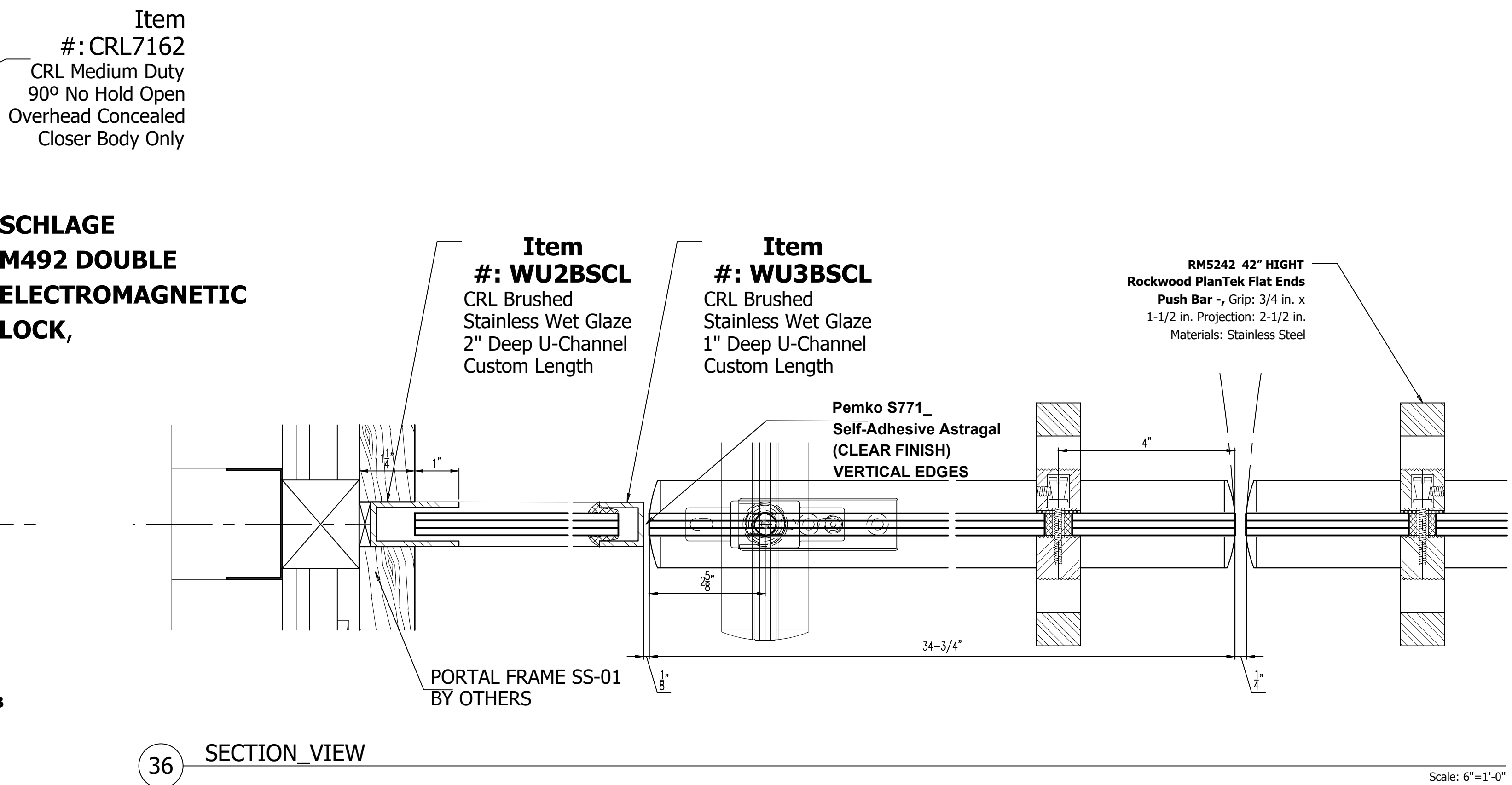
32 SECTION\_VIEW  
Scale: 6"=1'-0"



33 SECTION\_VIEW  
Scale: 6"=1'-0"



34 SECTION\_VIEW  
Scale: 6"=1'-0"



36 SECTION\_VIEW  
Scale: 6"=1'-0"

The SPIRAL 66 Hudson BLVD E Hardware

**Item #: DR2SBS12CL**  
CRL Brushed Stainless 1/2" Glass Low Profile Square Door Rail With Lock - Custom Length

**Item #: DR2SBS12C**  
CRL Brushed Stainless 1/2" Glass Low Profile Square Door Rail Without Lock - Custom Length

**Item #: DCH4BSD**  
CRL Brushed Stainless Steel 4" x 72" Double Door Header

**SCHLAGE M492 DOUBLE ELECTROMAGNETIC LOCK,**  
The stainless-steel housing is finished in a satin #4 finish, and the dimensions are 2-7/8"H x 10-1/2"L x 1-5/8"D

**Item #: WU2BSCL**  
CRL Brushed Stainless Wet Glaze 2" Deep U-Channel Custom Length

**Item #: WU3BSCL**  
CRL Brushed Stainless Wet Glaze 1" Deep U-Channel Custom Length

**Item #: CRL7162**  
CRL Medium Duty 90° No Hold Open Overhead Concealed Closer Body Only

**RM5242 42" HIGHT**  
Rockwood PlanTek Flat Ends Push Bar -, Grip: 3/4 in. x 1-1/2 in. Projection: 2-1/2 in. Materials: Stainless Steel

**Pemko S771\_ Self-Adhesive Astragal (CLEAR FINISH) VERTICAL EDGES**

9 3/32" (7.3)  
7 1/16" (11.3)

Adhesive Backing

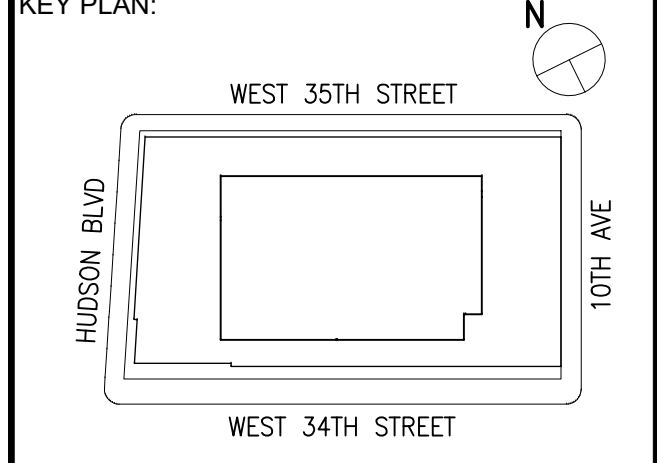
Pemko 90041\_SB Door Bottom Sweep  
Brush Coating: 90041SB  
- Sealed below for air adjustment.  
- Design permitted as a weather seal for many applications.  
- This brush gasketing is supplied with a 50% brush (50% root - item number 90041SB) to provide the grip and track.

Rating:  
- AIAA Certified  
- Break Test: UL1784  
- Fire Rated: UL10C - Positive Pressure  
- Underwriters Laboratory 4610

**Finishes**

MT-1	#4 Satin Stainless Steel
------	--------------------------

- General Notes**
- ALL DIMENSIONS TO BE FIELD IN VERIFIED PRIOR TO FABRICATION & INSTALLATION.
  - SEE OTHER DRAWINGS FOR MORE NOTES.
  - CAULKING AT BUTT JOINTS TYPICAL.
  - MINIMUM 1/8" GAP, U.O.N.
  - WRITTEN DIMENSIONS SUPERCEDE ALL SCALED DIMENSIONS.
  - ALL FASTENERS ARE 300 SERIES STAINLESS STEEL, U.O.N.
  - METAL STUD FRAMING & WOOD BLOCKING NOT BY GFC DMG.
  - ALL GLASS JOINTS, ALL GLASS SIZES WILL HAVE A TOLERANCE OF ±1/8", U.O.N.
  - SEE GFC DMG DWG # Z-000 FOR GLASS FINISH SCHEDULES & LOCATION OF ALL ITEMS.
  - ANY MATERIALS LISTED W/LEAD TIMES ARE APPROX. AFTER FIELD SIZES HAVE BEEN TAKEN OR APPROVED / GUARANTEED DIMENSIONS.
  - GFC EXCLUDES THE FOLLOWING ELECTRIC WIRING & HOOK-UP, WOOD BLOCKING, METAL STUD FRAMING, AND SUPPORTS, REMOVALS, CHOPPING, PATCHING OF EXISTING, ANYTHING NOT SPECIFICALLY CALLED OUT ON GFC SHOP DWGS FINISHES FINAL CLEANING & PROTECTION.



INFORMATION ON THIS DOCUMENT IS PROPRIETARY AND SHALL NOT BE USED, COPIED, REPRODUCED, DISCLOSED IN WHOLE OR IN PART WITHOUT WRITTEN CONSENT OF GFC ORNAMENTAL METAL AND GLASS, LLC. GFC ORNAMENTAL METAL AND GLASS, LLC ASSUMES NO RESPONSIBILITY FOR ANY ERRONEOUS WORK PERFORMED BY OTHER TRADES USING THESE DRAWINGS.

No.	Revision/Issue	Date

Prepared by

**G.F.C.** | ORNAMENTAL METAL & GLASS, LLC.  
2200 JERICHO TPKE  
NEW HYDE PARK, NY  
Tel: (516) 894-4655  
www.gfc-omg.com

ARCHITECT:

**FOGARTY FINGER**  
architecture | interiors  
69 Walker Street New York, NY 10013  
1 212 566 7450

General contractor:

**Clune Construction Co,**  
Located in: Grand Central-42 St.  
405 Lexington Ave # 28, New York, NY 10174  
Phone: (212) 682-1789

**THE SPIRAL**  
66 HUDSON BLVD E  
NEW YORK, NY 10001  
33RD FLOOR

Title

**SECTIONS**

PM	Scale: (ARCH-D)	Sheet No.
F.Z.	<b>SEE NOTED</b>	
Drawn by	First date of issue	
Leo	10/15/23	<b>Z-004</b>
Checked by	Job No.	
G.Z.		
Approved by		
G.Z.		

Director: G. Vesera Vespa (Dorabala) V. GFC Ornamental Metal and Glass, LLC - 23609 The Spiral 66 Hudson Blvd E Hudson, NY 10013 - 17:53 - By: eegs