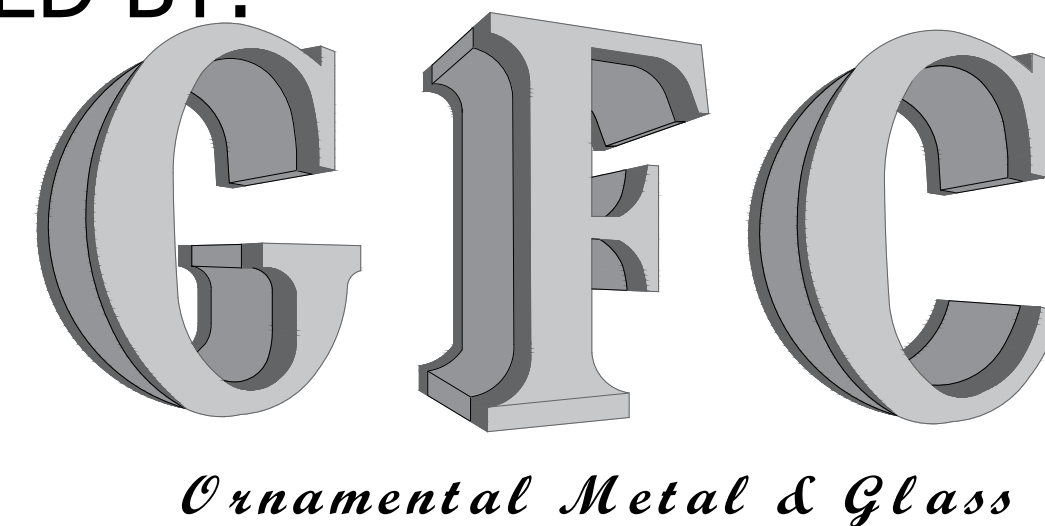


Project: Butterfly Network

Address: 11 East 26th Street, 7th floor

ARCHITECT:
vocon.

PREPARED BY:



General contractor:
Core Four

TABLE of CONTENTS			SUBMISSION	Rev_1
			11/14/2023	01/02/2024
1	Z-01	Cover Sheet	•	•
2	Z-02	Plan	•	•
3	Z-03	Elevation	•	•

VERIFY ALL DIMENSIONS IN FIELD PRIOR TO FABRICATION

THESE DRAWINGS ARE THE SOLE PROPERTY OF GFC ORNAMENTAL METAL & GLASS AND MAY NOT BE USED OR DUPLICATED WITHOUT A WRITTEN CONSENT FROM GFC OMG. GFC OMG WILL NOT ASSUME RESPONSIBILITY FOR WORK ON ERRORS INCURRED BY OTHER TRADES SHOULD THESE DRAWINGS BE USED WITHOUT THE KNOWLEDGE OF GFC OMG.


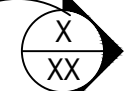
ADDITIONAL COPIES ARE AVAILABLE UPON REQUEST.

FINISH SCHEDULE:

CLEAR TEMPERED GLASS THICKNESS TO MATCH EXISTING ADJACENT OFFICE FRONT.

ALL FINISHED TO BE STAINLESS STEEL TO MATCH EXISTING ADJACENT, TYP, UON.

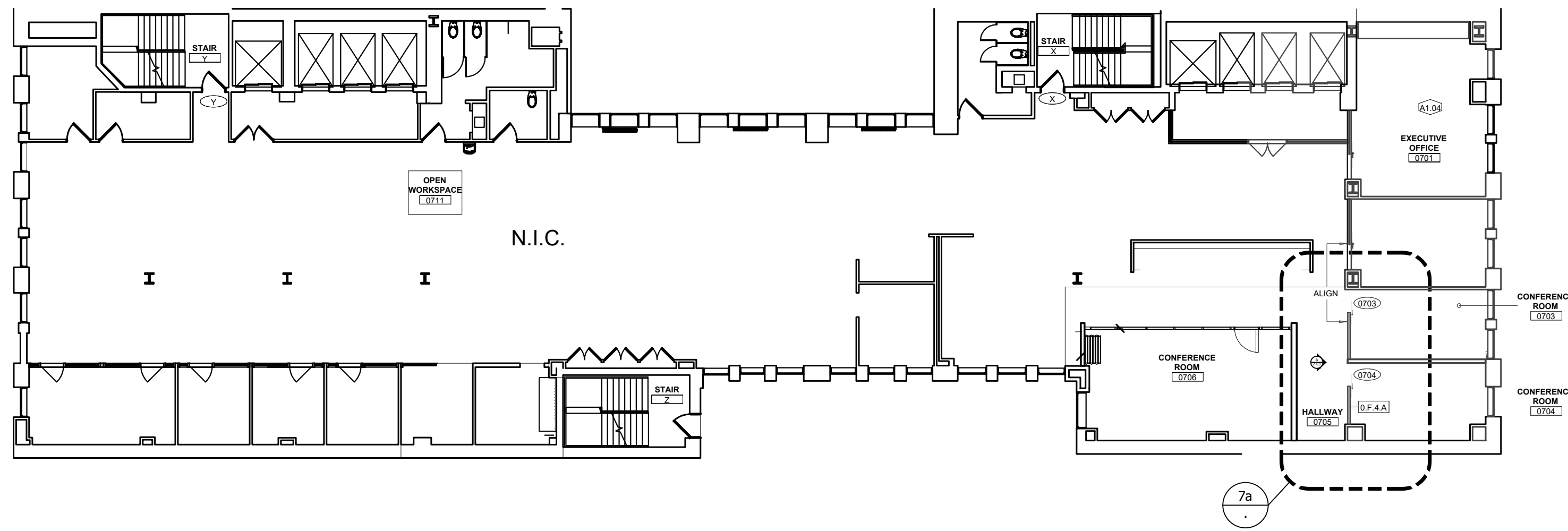
LEGENDS, SYMBOLS & ABBREVIATIONS:

 - ELEVATION CALLOUT: UPPER NUMBER DENOTES DRAWING REFERENCE, LOWER NUMBER DENOTES SHEET NUMBER	 - DETAIL CALLOUT: UPPER NUMBER DENOTES DRAWING REFERENCE, LOWER NUMBER DENOTES SHEET NUMBER	A.F.F. ABOVE FINISH FLOOR ARCH. ARCHITECT B.O. BOTTOM OF B.T.B. BACK-TO-BACK C. CENTERLINE D.H. DOOR HEIGHT D.L. DAYLIGHT D.L.O. DAYLIGHT OPENING D.O. DOOR OPENING D.W. DOOR WIDTH F.O.G. FRONT OF GLASS G.S. GLASS SIZE HT. HEIGHT O.A. OVERALL	O.C. ON-CENTER OPP. OPPOSITE QTY. QUANTITY R.F. ROUGH OPENING REF. REFERENCE S.S. STAINLESS STEEL SIM. SIMILAR T.O.S. TOP OF SLAB T.O.F.F. TOP OF FINISH FLOOR TYP. TYPICAL V.I.F. VERIFY IN FIELD
--	---	--	--

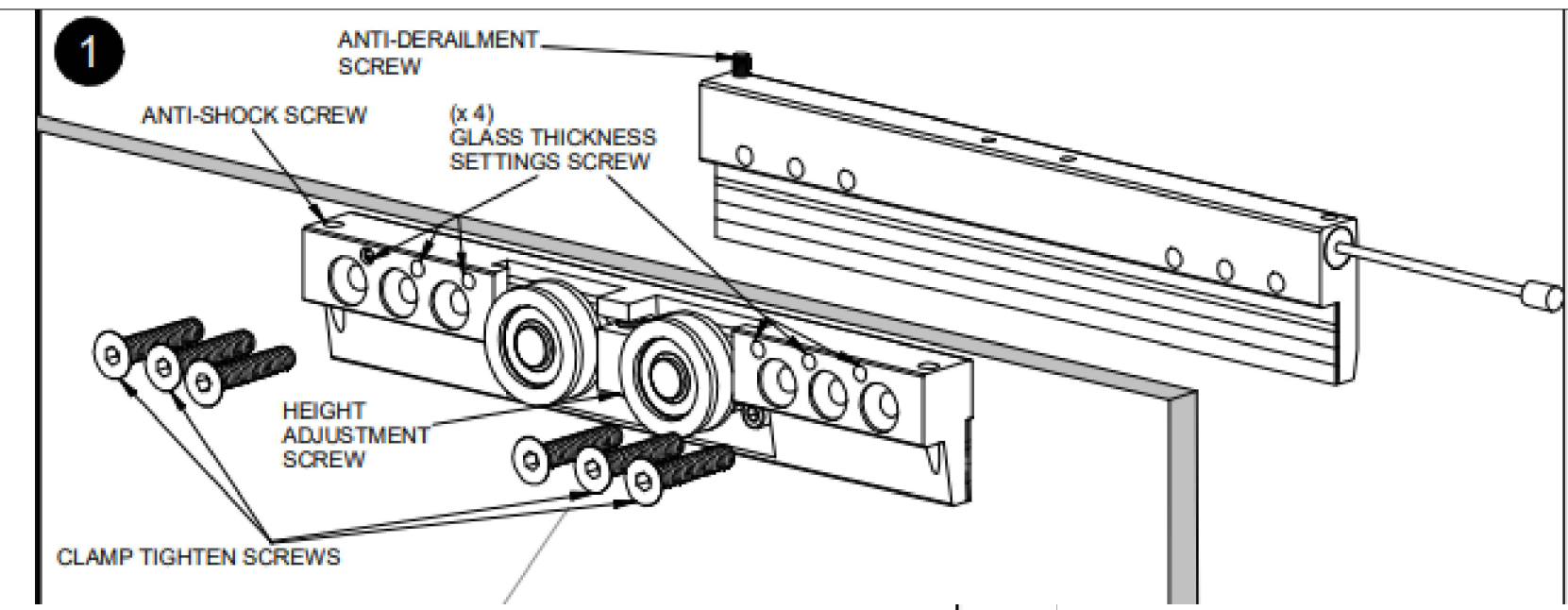
Architectural drawings:	
Type:	Issue for Construction BULL #1
Date:	10/13/2023

NO.	DATE	DESCRIPTION
1	01/02/24	As per architect's comments 11/29/23

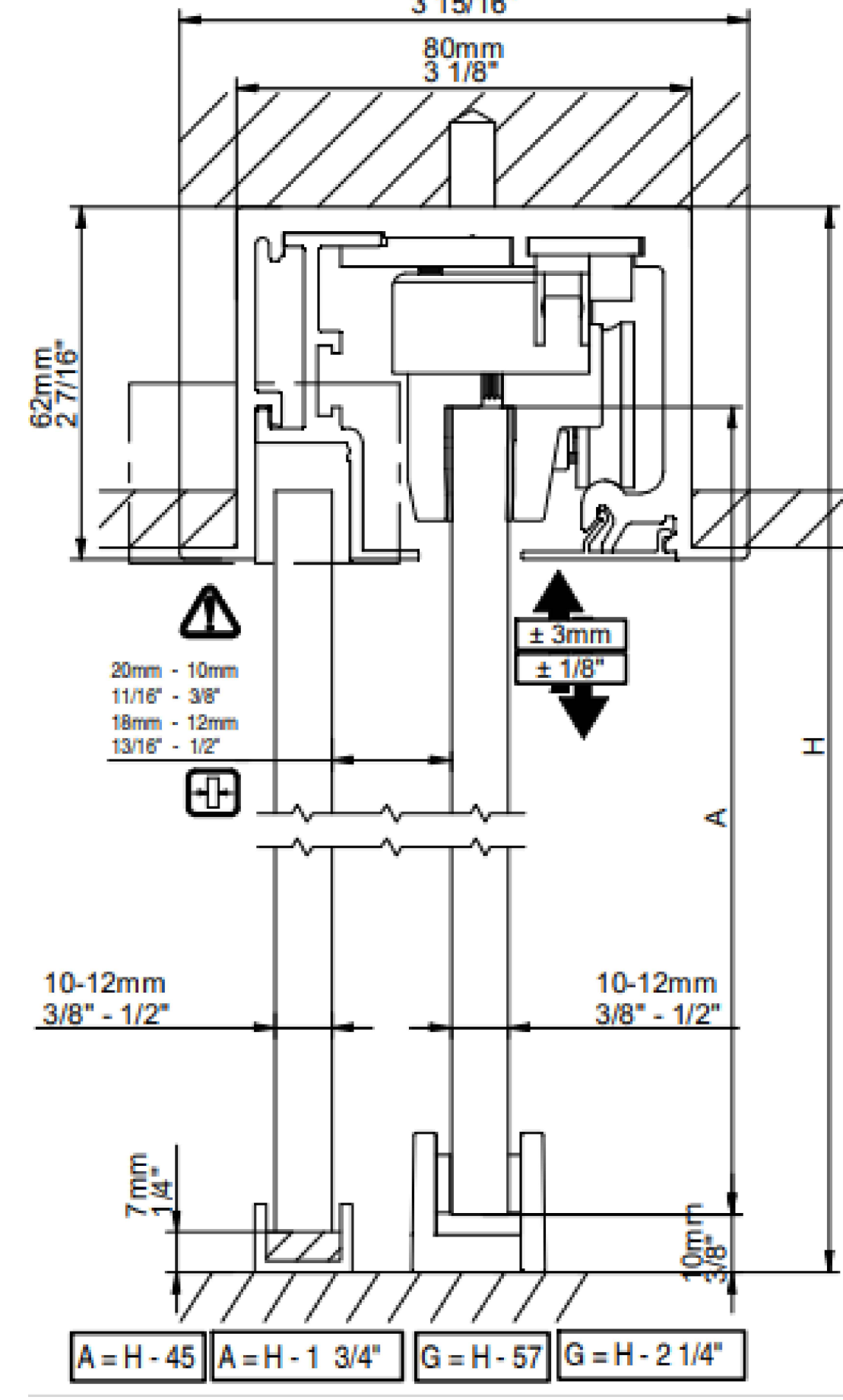
Butterfly Network	
PROPOSAL:	# 23 997
DATE: (First date of issue)	11/14/23
DRAWN BY:	P.M.:
Leo	C.F.



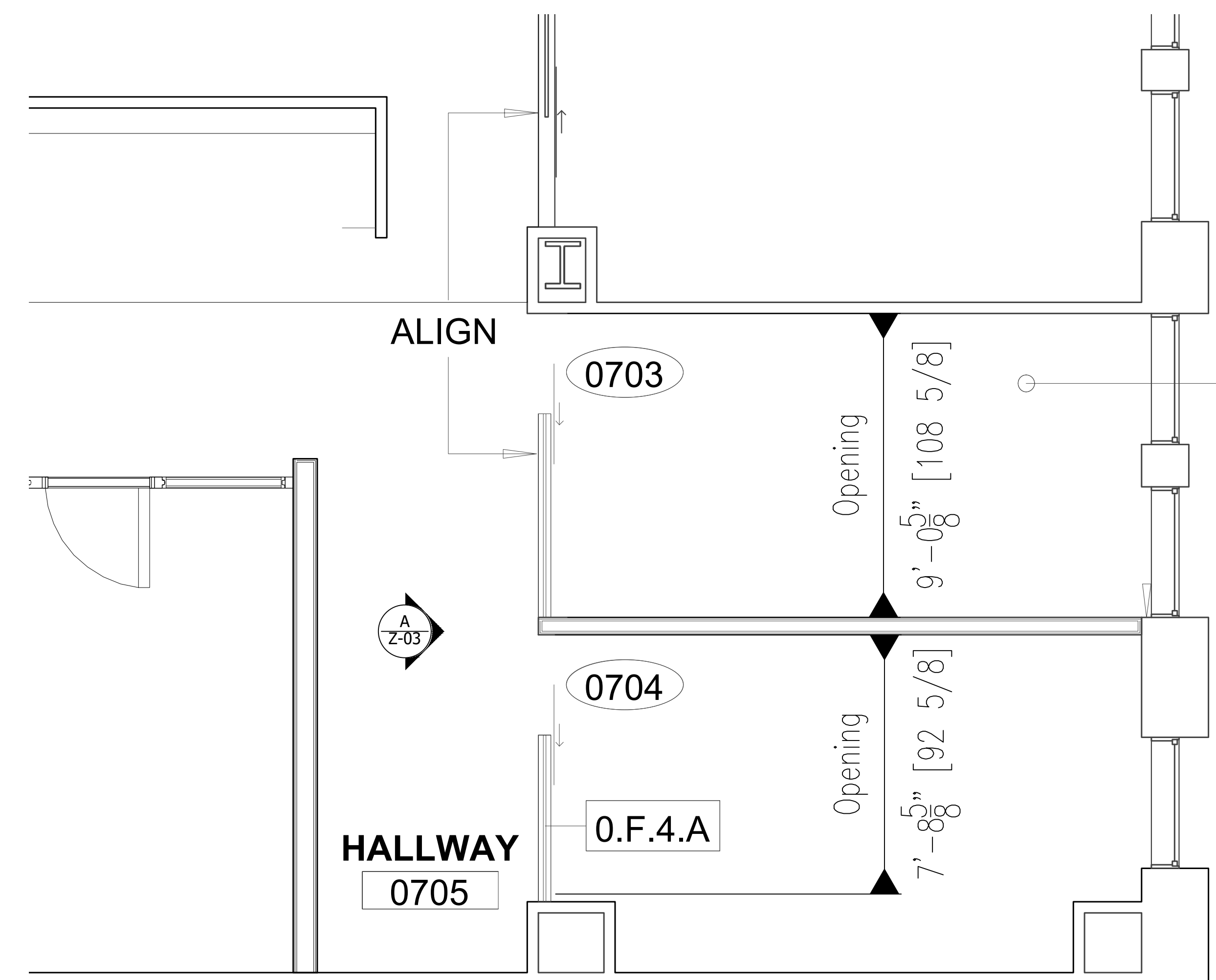
2 7TH FLOOR CONSTRUCTION PLAN
SCALE: 1/8" = 1'-0"



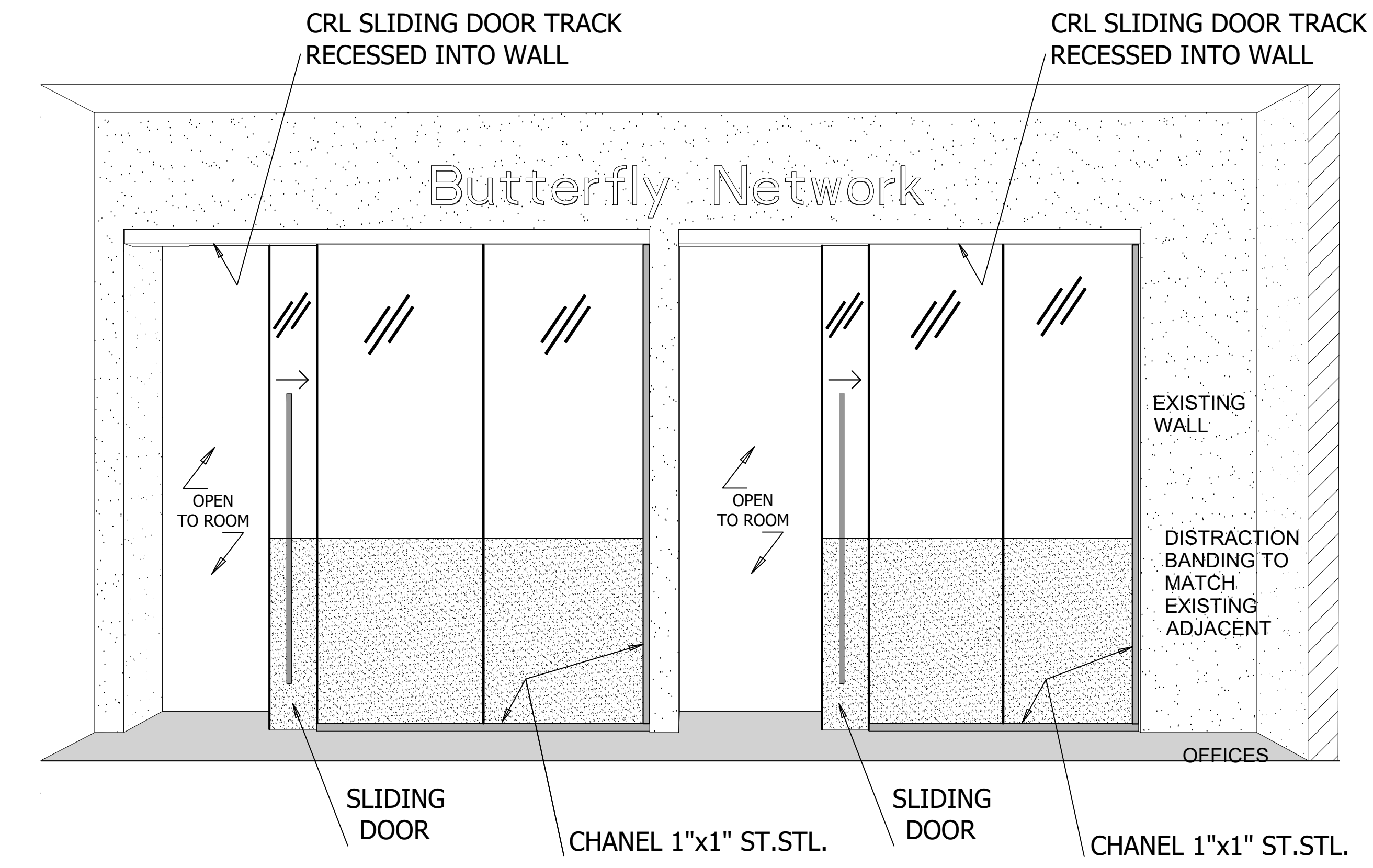
CRL4901 D
CRL4951 D



for REFERENCE:
CRL 495 Series Satin Anodized Sliding Door
with Fixed Panel Kit with Softbrake Braking System



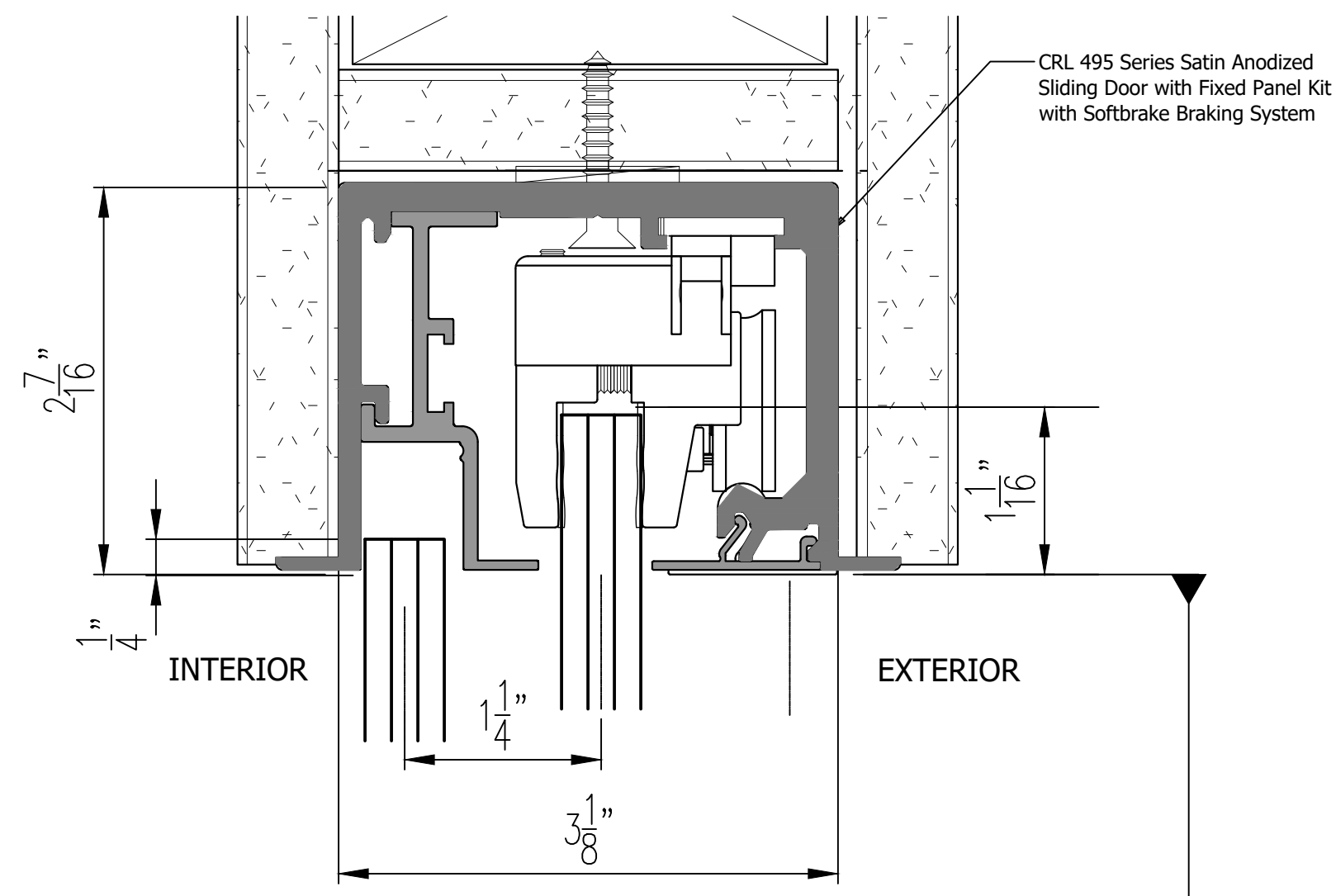
7a KEY PLAN
Scale: NTS



for REFERENCE: PERSPECTIVE VIEW. N.T.S.

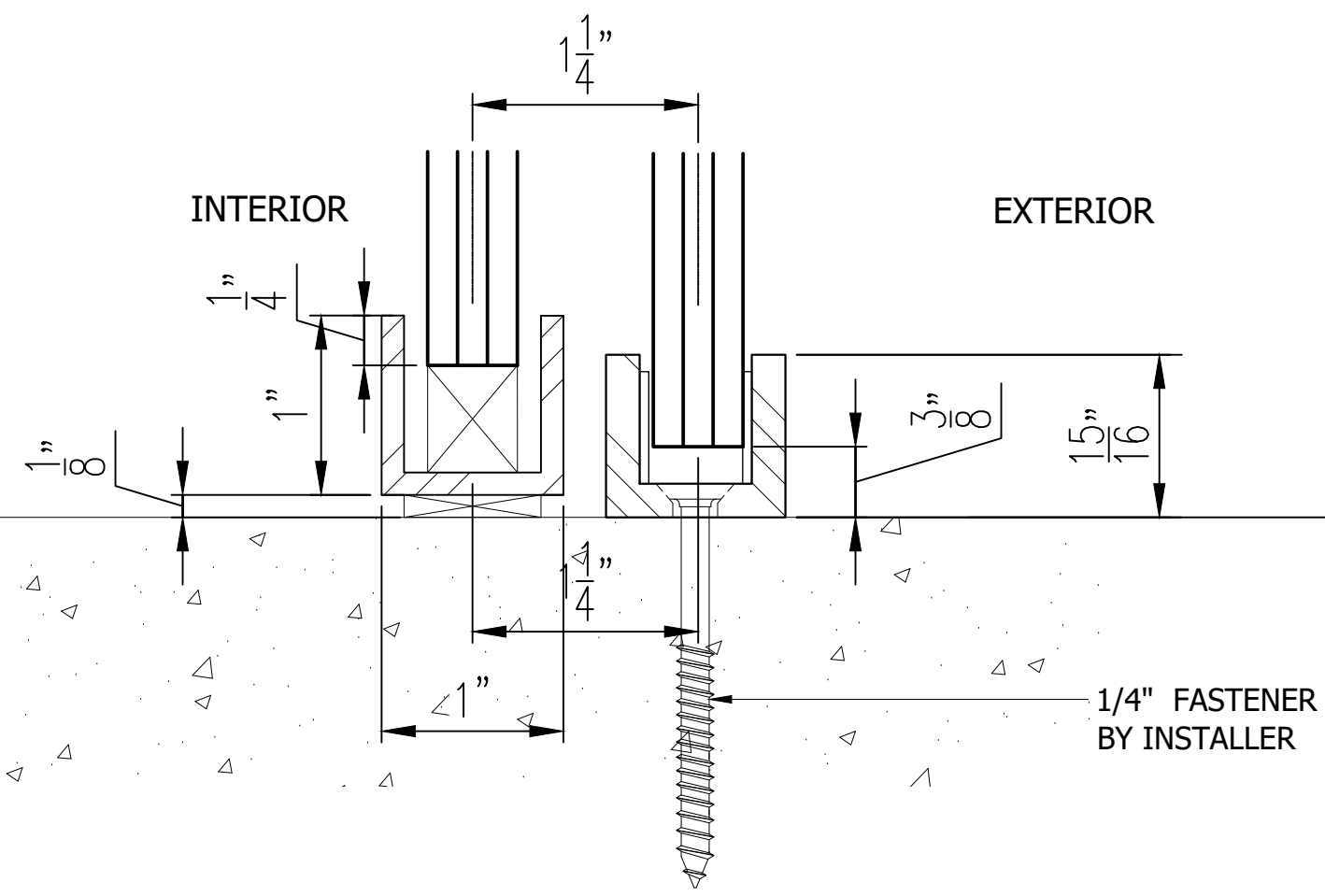
Finishes		
General Notes		
1. ALL DIMENSIONS TO BE FIELD IN VERIFIED PRIOR TO FABRICATION & INSTALLATION. 2. SEE OTHER DRAWINGS FOR MORE NOTES. 3. CAULKING AT BUTT JOINTS TYPICAL. 4. MINIMUM 1/8" GAP, U.O.N. 5. WRITTEN DIMENSIONS SUPERCEDE ALL SCALED DIMENSIONS. 6. ALL FASTENERS ARE 300 SERIES STAINLESS STEEL, U.O.N. 7. METAL STUD FRAMING & WOOD BLOCKING NOT BY GFC OMG. 8. ALL GLASS JOINTS, ALL GLASS SIZES WILL HAVE A TOLERANCE OF ±1/8", U.O.N. 9. SEE GFC OMG DWG # Z-000 FOR GLASS FINISH SCHEDULES & LOCATION OF ALL ITEMS. 10. ANY MATERIALS LISTED w/LEAD TIMES ARE APPROX. AFTER FIELD SIZES HAVE BEEN TAKEN OR APPROVED / GUARANTEED DIMENSIONS. 11. GFC EXCLUDES THE FOLLOWING ELECTRIC WIRING & HOOK-UP, WOOD BLOCKING, METAL STUD FRAMING, AND SUPPORTS, REMOVALS, CHOPPING, PATCHING OF EXISTING, ANYTHING NOT SPECIFICALLY CALLED OUT ON GFC SHOP DWGS FINISHES FINAL CLEANING & PROTECTION.		
KEY PLAN:		
INFORMATION ON THIS DOCUMENT IS PROPRIETARY AND SHALL NOT BE USED, COPIED, REPRODUCED, DISCLOSED IN WHOLE OR IN PART WITHOUT WRITTEN CONSENT OF GFC ORNAMENTAL METAL AND GLASS, LLC. GFC ORNAMENTAL METAL AND GLASS, LLC ASSUMES NO RESPONSIBILITY FOR ANY ERRONEOUS WORK PERFORMED BY OTHER TRADES USING THESE DRAWINGS.		
No.	Revision/Issue	Date
	As per architect's comments 11/29/23	01/02/24
Prepared by		
G.F.C.		ORNAMENTAL METAL & GLASS, LLC 2200 JERICHO TPKE NEW HYDE PARK, NY Tel: (516) 880-4655 www.gfc-omg.com
Architect Vocon		
Core Four		
Butterfly Network		
Title		
PLAN ELEVATIONS SECTIONS		
PM	Scale: (ARCH.D)	Sheet No.
F.Z.	SEE NOTED	
Drawn by	First date of issue	
Leo	10/15/23	Z-02
Checked by	Job No.	
G.Z.	23997	
Approved by		
G.Z.		

Director: G. Vespa, Vice President: M. Vespa, VP: GFC Ornamental Metal and Glass, 11 East 26th Street, New York, NY 10010, Tel: (212) 241-2124, Fax: (212) 241-2124, www.gfc-omg.com



11 Cross-Section Detail Scale: full

CLEAR TEMPERED GLASS
Thickness to match existing adjacent office front.

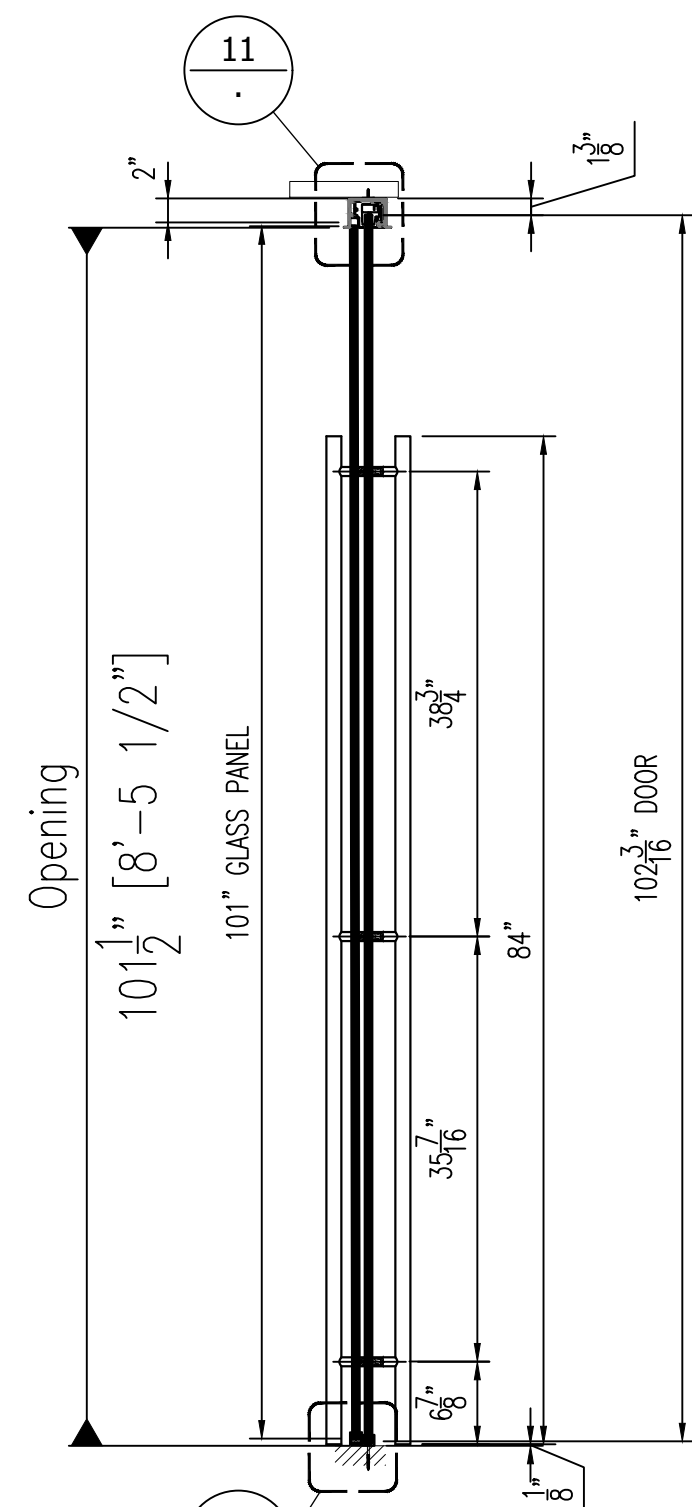


12 Cross-Section Detail Scale: full

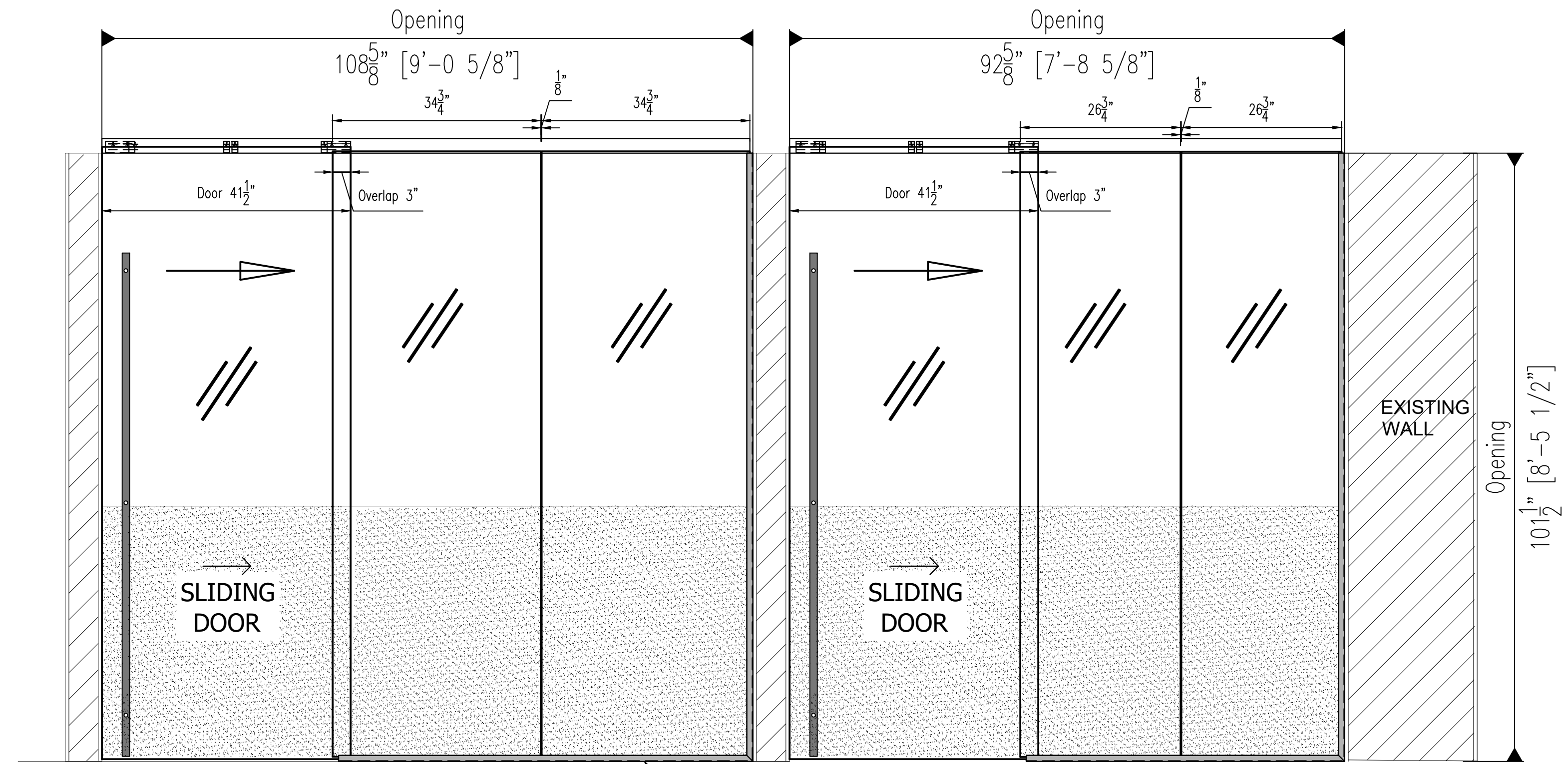
CRL Item #: CRL4951 Series Satin Anodized Sliding Door with Fixed Panel Kit with Softbrake Braking System

SERIES CEILING MOUNT SLIDING DOOR

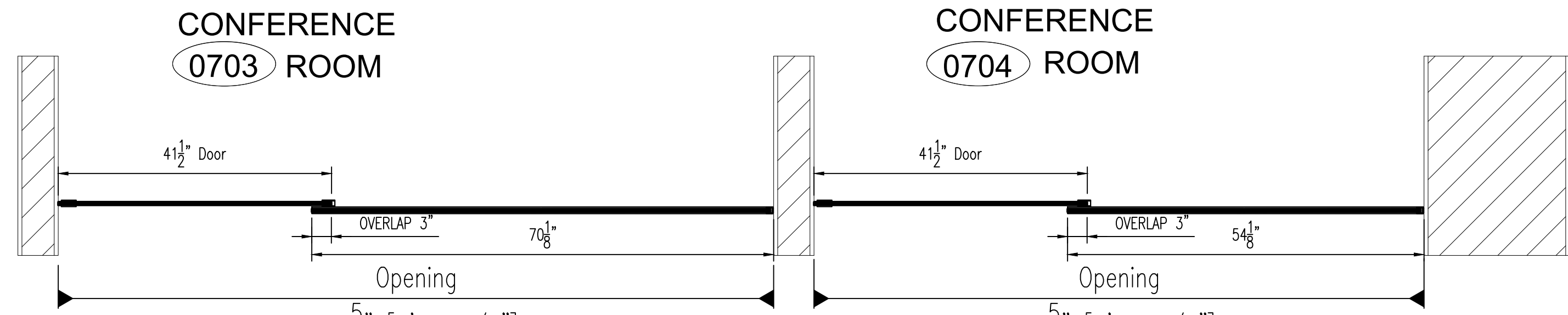
- Each Kit Contains:
- 118" (3 m) of Top Track Kit
 - 118" (3 m) of Bottom Channel
 - Glazing Vinyl 1/2" (10 To 12 mm) Glass
 - 1 Set Top Hangers
 - 1 Set Roller Stops
 - 1 Set End Caps
 - 1 Each Bottom Guide
 - 1 Set Door Edge Guards
 - 1 Set Top Track Insert Fasteners
 - 1 Each Softbrake Kit



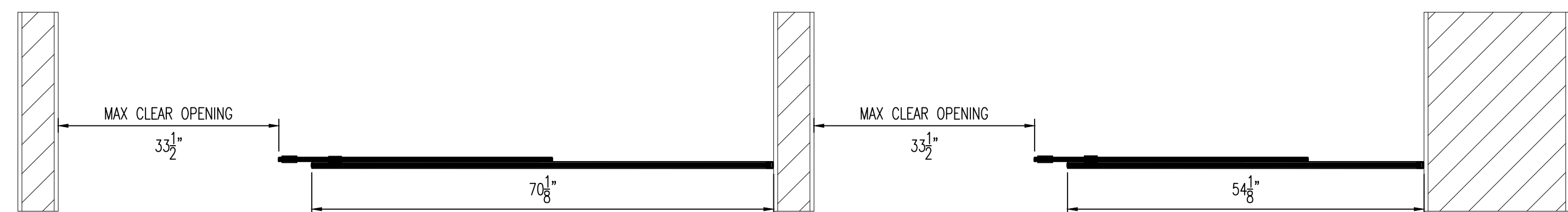
A3 SLIDER SECTION Scale: 3/4"=1'-0"



A CRL4951 SLIDING DOOR ELEVATION Scale: 3/4"=1'-0"



A1 CLOSED DOOR POSITION Scale: 3/4"=1'-0"



A2 OPEN DOOR POSITION Scale: 3/4"=1'-0"

Finishes

General Notes

- ALL DIMENSIONS TO BE FIELD IN VERIFIED PRIOR TO FABRICATION & INSTALLATION.
- SEE OTHER DRAWINGS FOR MORE NOTES.
- CAULKING AT BUTT JOINTS TYPICAL.
- MINIMUM 1/8" GAP, U.O.N.
- WRITTEN DIMENSIONS SUPERCEDE ALL SCALED DIMENSIONS.
- ALL FASTENERS ARE 300 SERIES STAINLESS STEEL, U.O.N.
- METAL STUD FRAMING & WOOD BLOCKING NOT BY GFC O.M.G.
- ALL GLASS JOINTS, ALL GLASS SIZES WILL HAVE A TOLERANCE OF $\pm 1/8"$, U.O.N.
- SEE GFC O.M.G. DWG # Z-000 FOR GLASS FINISH SCHEDULES & LOCATION OF ALL ITEMS.
- ANY MATERIALS LISTED w/LEAD TIMES ARE APPROX. AFTER FIELD SIZES HAVE BEEN TAKEN OR APPROVED / GUARANTEED DIMENSIONS.
- GFC EXCLUDES THE FOLLOWING: ELECTRIC WIRING & HOOK-UP, WOOD BLOCKING, METAL STUD FRAMING, AND SUPPORTS, REMOVALS, CHOPPING, PATCHING OF EXISTING, ANYTHING NOT SPECIFICALLY CALLED OUT ON GFC SHOP DWGS FINISHES FINAL CLEANING & PROTECTION.

KEY PLAN:

INFORMATION ON THIS DOCUMENT IS PROPRIETARY AND SHALL NOT BE USED, COPIED, REPRODUCED, DISCLOSED IN WHOLE OR IN PART WITHOUT WRITTEN CONSENT OF GFC ORNAMENTAL METAL AND GLASS, LLC. GFC ORNAMENTAL METAL AND GLASS, LLC ASSUMES NO RESPONSIBILITY FOR ANY ERRONEOUS WORK PERFORMED BY OTHER TRADES USING THESE DRAWINGS.

No.	Revision/Issue	Date
1	As per architect's comments 11/29/23	01/02/24

Prepared by	G.F.C.	ORNAMENTAL METAL & GLASS, LLC. 2200 JERICHO TPKE NEW HYDE PARK, NY Tel: (516) 880-4655 www.gfc-omg.com
-------------	--------	--

Architect Vocon

Core Four

Butterfly Network

RCP SECTIONS

PM	F.Z.	Scale: (ARCH.D)	Sheet No.
Drawn by	Leo	SEE NOTED	Z-03
Checked by	G.Z.	First date of issue	
Approved by	G.Z.	10/15/23	
		Job No.	
		23997	

Director: G. Vespa Vespa Orsatta U. GFC Ornamental Metal and Glass U. 23997 7th Floor 11 East 26th Street New York, NY 11103 Rev. 11/15/23 GFC Shop Date: 7/11/23 Rev. 01/02/24 - Br. Bosc